

REVISIONS

| LTR | DESCRIPTION | DATE (YR-MO-DA) | APPROVED |
|-----|-------------|-----------------|----------|
| | | | |

| | | | | | | | | | | | | | | | | | | | | |
|-------|--|--|--|--|--|--|--|--|--|--|--|--|--|--|--|--|--|--|--|--|
| REV | | | | | | | | | | | | | | | | | | | | |
| SHEET | | | | | | | | | | | | | | | | | | | | |
| REV | | | | | | | | | | | | | | | | | | | | |
| SHEET | | | | | | | | | | | | | | | | | | | | |

| | | | | | | | | | | | | | | | | | | | | |
|----------------------|-------|---|---|---|---|---|---|---|---|---|----|----|----|----|--|--|--|--|--|--|
| REV STATUS OF SHEETS | REV | | | | | | | | | | | | | | | | | | | |
| | SHEET | 1 | 2 | 3 | 4 | 5 | 6 | 7 | 8 | 9 | 10 | 11 | 12 | 13 | | | | | | |

| | | | | | |
|--|-----------------------------------|---|---------------------------|-------------------|--|
| PMIC N/A | PREPARED BY Joseph Kerby | DEFENSE ELECTRONICS SUPPLY CENTER DAYTON, OHIO 45444 | | | |
| <p align="center">STANDARDIZED MILITARY DRAWING</p> <p align="center">THIS DRAWING IS AVAILABLE FOR USE BY ALL DEPARTMENTS AND AGENCIES OF THE DEPARTMENT OF DEFENSE</p> <p align="center">AMSC N/A</p> | CHECKED BY Charles Besore | MICROCIRCUIT, LINEAR, WIDEBAND LOGARITHMIC AMPLIFIER, MONOLITHIC SILICON | | | |
| | APPROVED BY Michael A. Frye | | | | |
| | DRAWING APPROVAL DATE 91-09-05 | SIZE A | CAGE CODE 67268 | 5962-90955 | |
| | REVISION LEVEL | SHEET 1 | OF | 13 | |

1.3 Absolute maximum ratings. 1/

| | | |
|---|-------|-----------------------------|
| Supply voltage (V_S) | ----- | ±7.5 V |
| Input voltage (pin 1 or pin 20 to CKT COM) | ----- | -3.0 V to +300 mV |
| Attenuator input voltage (pin 5 to pin 3/4) | ----- | ±3.0 V |
| Thermal resistance, junction-to-case (Θ_{JC}) | ----- | See MIL-M-38510, appendix C |
| Thermal resistance, junction-to-ambient (Θ_{JA}) | ----- | 95° C/W |
| Storage temperature range | ----- | -65° C to +150° C |
| Lead temperature (soldering, 60 seconds) | ----- | +300° C |

1.4 Recommended operating conditions.

| | | |
|---|-------|-------------------|
| Supply voltage range (V_S) | ----- | ±4.5 V to ±7.5 V |
| Ambient operating temperature range (T_A) | ----- | -55° C to +125° C |

2. APPLICABLE DOCUMENTS

2.1 Government specifications, standards, bulletin, and handbook. Unless otherwise specified, the following specifications, standards, bulletin, and handbook of the issue listed in that issue of the Department of Defense Index of Specifications and Standards specified in the solicitation, form a part of this drawing to the extent specified herein.

SPECIFICATIONS

MILITARY

- MIL-M-38510 - Microcircuits, General Specification for.
- MIL-I-38535 - Integrated Circuits, Manufacturing, General Specification for.

STANDARDS

MILITARY

- MIL-STD-480 - Configuration Control-Engineering Changes, Deviations and Waivers.
- MIL-STD-883 - Test Methods and Procedures for Microelectronics.

BULLETIN

MILITARY

- MIL-BUL-103 - List of Standardized Military Drawings (SMD's).

HANDBOOK

MILITARY

- MIL-HDBK-780 - Standardized Military Drawings.

(Copies of the specifications, standards, bulletin, and handbook required by manufacturers in connection with specific acquisition functions should be obtained from the contracting activity or as directed by the contracting activity.)

2.2 Order of precedence. In the event of a conflict between the text of this drawing and the references cited herein, the text of this drawing shall take precedence.

1/ Stresses above the absolute maximum rating may cause permanent damage to the device. Extended operation at the maximum levels may degrade performance and affect reliability.

| | | | |
|---|-------------------|----------------|-------------------|
| STANDARD MILITARY DRAWING DEFENSE ELECTRONICS SUPPLY CENTER DAYTON, OHIO 45444 | SIZE A | | 5962-90955 |
| | | REVISION LEVEL | SHEET 3 |

3. REQUIREMENTS

3.1 Item requirements. The individual item requirements for device class M shall be in accordance with 1.2.1 of MIL-STD-883, "Provisions for the use of MIL-STD-883 in conjunction with compliant non-JAN devices" and as specified herein. The individual item requirements for device classes B and S shall be in accordance with MIL-M-38510 and as specified herein. For device classes B and S, a full electrical characterization table for each device type shall be included in this SMD. The individual item requirements for device classes Q and V shall be in accordance with MIL-I-38535, the device manufacturer's Quality Management (QM) plan, and as specified herein.

3.2 Design, construction, and physical dimensions. The design, construction, and physical dimensions shall be as specified in MIL-M-38510 for device classes M, B, and S and MIL-I-38535 for device classes Q and V and herein.

3.2.1 Case outline(s). The case outline(s) shall be in accordance with 1.2.4 herein.

3.2.2 Terminal connections. The terminal connections shall be as specified on figure 1.

3.2.3 Block diagram. The block diagram shall be as specified on figure 2.

3.3 Electrical performance characteristics and postirradiation parameter limits. Unless otherwise specified herein, the electrical performance characteristics and postirradiation parameter limits are as specified in table I and shall apply over the full ambient operating temperature range.

3.4 Electrical test requirements. The electrical test requirements shall be the subgroups specified in table IIA. The electrical tests for each subgroup are defined in table I.

3.5 Marking. The part shall be marked with the PIN listed in 1.2 herein. Marking for device class M shall be in accordance with MIL-STD-883 (see 3.1 herein). In addition, the manufacturer's PIN may also be marked as listed in MIL-BUL-103. Marking for device classes B and S shall be in accordance with MIL-M-38510. Marking for device classes Q and V shall be in accordance with MIL-I-38535.

3.5.1 Certification/compliance mark. The compliance mark for device class M shall be a "C" as required in MIL-STD-883 (see 3.1 herein). The certification mark for device classes B and S shall be a "J" or "JAN" as required in MIL-M-38510. The certification mark for device classes Q and V shall be a "QML" as required in MIL-I-38535.

3.6 Certificate of compliance. For device class M, a certificate of compliance shall be required from a manufacturer in order to be listed as an approved source of supply in MIL-BUL-103 (see 6.7.3 herein). For device classes Q and V, a certificate of compliance shall be required from a QML-38535 listed manufacturer in order to supply to the requirements of this drawing (see 6.7.2 herein). The certificate of compliance submitted to DESC-ECS prior to listing as an approved source of supply for this drawing shall affirm that the manufacturer's product meets, for device class M the requirements of MIL-STD-883 (see 3.1 herein), or for device classes Q and V, the requirements of MIL-I-38535 and the requirements herein.

3.7 Certificate of conformance. A certificate of conformance as required for device class M in MIL-STD-883 (see 3.1 herein) or device classes B and S in MIL-M-38510 or for device classes Q and V in MIL-I-38535 shall be provided with each lot of microcircuits delivered to this drawing.

3.8 Notification of change for device class M. For device class M, notification to DESC-ECS of change of product (see 6.2 herein) involving devices acquired to this drawing is required for any change as defined in MIL-STD-480.

3.9 Verification and review for device class M. For device class M, DESC, DESC's agent, and the acquiring activity retain the option to review the manufacturer's facility and applicable required documentation. Offshore documentation shall be made available onshore at the option of the reviewer.

3.10 Microcircuit group assignment for device classes M, B, and S. Device classes M, B, and S devices covered by this drawing shall be in microcircuit group number 49 (see MIL-M-38510, appendix E).

3.11 Serialization for device class S. All device class S devices shall be serialized in accordance with MIL-M-38510.

| | | | |
|---|-------------------|----------------|-------------------|
| STANDARD MILITARY DRAWING DEFENSE ELECTRONICS SUPPLY CENTER DAYTON, OHIO 45444 | SIZE A | | 5962-90955 |
| | | REVISION LEVEL | SHEET 4 |

TABLE I. Electrical performance characteristics.

| Test | Symbol | Conditions -55°C ≤ T _A ≤ +125°C V _S = ±5 V unless otherwise specified | Group A subgroups | Limits | | Unit |
|---|------------------|--|----------------------|--------|-------|------|
| | | | | Min | Max | |
| Total absolute dc accuracy | TA | V _{IN} = ±1.0 mV to ±100 mV | 1 | -0.9 | +0.9 | dB |
| | | | 2, 3 | -1.8 | +1.8 | |
| | | V _{IN} = ±0.75 mV to ±200 mV | 4 | -2.0 | +2.0 | |
| | | V _{IN} = ±10 mV to ±1.0 V using attenuator | 1 | -1.5 | +1.5 | |
| | | | 2, 3 | -2.0 | +2.0 | |
| V _{IN} = ±7.5 mV to ±2.0 V using attenuator | 4 | -2.5 | +2.5 | | | |
| Total absolute dc accuracy versus supplies | TA | V _S = ±4.5 V to ±7.5 V, T _A = +25°C, V _{IN} = ±1 mV to ±100 mV | 4 | -1.0 | +1.0 | |
| DC linearity | LE _{dc} | V _{IN} = ±1.0 mV to ±100 mV, T _A = +25°C | 1 | -0.6 | +0.6 | |
| Input offset voltage | V _{IO} | Differential, V _{IN} = ±1 mV | 1 | -200 | +200 | μV |
| | | | 2, 3 | -300 | +300 | |
| Input bias current 1/ | I _{IB} | T _A = +25°C, V _{IN} = 0 V, differential | 4 | -25 | +25 | μA |
| Slope current versus supplies | I _{Ydc} | From nominal of 1.00 mA | 1, 2, 3 | -0.02 | +0.02 | mA |
| | | V _S = ±4.5 V to ±7.5 V, T _A = +25°C | 4 | -0.4 | +0.4 | %/V |
| Intercept voltage | V _{Xdc} | From nominal of 1.00 mV | 1 | -0.05 | +0.05 | mV |
| | | | 2, 3 | -0.1 | +0.1 | |
| | | From nominal of 10.0 mV using attenuator | 1 | -1.0 | +1.0 | |

See footnote at end of table.

| | | | |
|---|-------------------|----------------|-------------------|
| STANDARD MILITARY DRAWING DEFENSE ELECTRONICS SUPPLY CENTER DAYTON, OHIO 45444 | SIZE A | | 5962-90955 |
| | | REVISION LEVEL | SHEET 5 |

TABLE I. Electrical performance characteristics - Continued.

| Test | Symbol | Conditions $-55^{\circ}\text{C} \leq T_A \leq +125^{\circ}\text{C}$ $V_S = \pm 5\text{V}$ unless otherwise specified | Group A subgroups | Limits | | Unit |
|--------------------------------|-----------|---|----------------------|--------|-------|----------|
| | | | | Min | Max | |
| Application resistors | R_A | From nominal of 1000Ω , $T_A = +25^{\circ}\text{C}$ | 4 | -5 | +5 | Ω |
| AC linearity <u>1/</u> | LE_{ac} | $f = 1.0\text{ MHz}$, -40 dBm to -2.0 dBm, $T_A = +25^{\circ}\text{C}$ | | -1.0 | +1.0 | dB |
| | | $f = 1.0\text{ MHz}$, -35 dBm to -10 dBm, $T_A = +25^{\circ}\text{C}$ | -0.5 | +0.5 | | |
| AC linearity <u>1/</u> | LE_{ac} | $f = 1.0\text{ MHz}$, -75 dBm to 0 dBm, cascaded operation, $T_A = +25^{\circ}\text{C}$ | 4 | -1.5 | +1.5 | dB |
| | | $f = 1.0\text{ MHz}$, -70 dBm to -10 dBm, cascaded operation, $T_A = +25^{\circ}\text{C}$ | | -1.0 | +1.0 | |
| AC slope current <u>1/</u> | IY_{ac} | From nominal of 1.00 mA, $f \leq 1.0\text{ MHz}$, $T_A = +25^{\circ}\text{C}$ | 4 | -0.02 | +0.02 | mA |
| | | From nominal of 0.94 mA, $f = 30\text{ MHz}$, $T_A = +25^{\circ}\text{C}$ | | -0.03 | +0.03 | |
| | | From nominal of 0.90 mA, $f = 60\text{ MHz}$, $T_A = +25^{\circ}\text{C}$ | | -0.04 | +0.04 | |
| AC intercept voltage <u>1/</u> | VX_{ac} | From nominal of -88.6 dBm, $f \leq 1.0\text{ MHz}$, $T_A = +25^{\circ}\text{C}$ | 4 | -1.0 | +1.0 | dBm |
| Supply current | + I_S | $V_{IN} = 0\text{ V}$ | 1, 2, 3 | -15 | | mA |
| | - I_S | $V_{IN} = 0\text{ V}$ | | | +60 | |

1/ Guaranteed, if not tested, to the limits specified.

| | | | |
|---|-------------------|----------------|-------------------|
| STANDARD MILITARY DRAWING DEFENSE ELECTRONICS SUPPLY CENTER DAYTON, OHIO 45444 | SIZE A | | 5962-90955 |
| | | REVISION LEVEL | SHEET 6 |

| | |
|-----------------|-----------------|
| Device type | 01 |
| Case outlines | R, 2 |
| Terminal number | Terminal symbol |
| 1 | SIG -IN |
| 2 | ATN LO |
| 3 | ATN COM |
| 4 | ATN COM |
| 5 | ATN IN |
| 6 | BL1 |
| 7 | -V _S |
| 8 | ITC |
| 9 | BL2 |
| 10 | SIG -OUT |
| 11 | SIG +OUT |
| 12 | +V _S |
| 13 | LOG COM |
| 14 | LOG OUT |
| 15 | RG2 |
| 16 | RG0 |
| 17 | RG1 |
| 18 | CKT COM |
| 19 | ATN OUT |
| 20 | SIG +IN |

FIGURE 1. Terminal connections.

| | | | |
|---|-------------------|----------------|-------------------|
| STANDARD MILITARY DRAWING DEFENSE ELECTRONICS SUPPLY CENTER DAYTON, OHIO 45444 | SIZE A | | 5962-90955 |
| | | REVISION LEVEL | SHEET 7 |

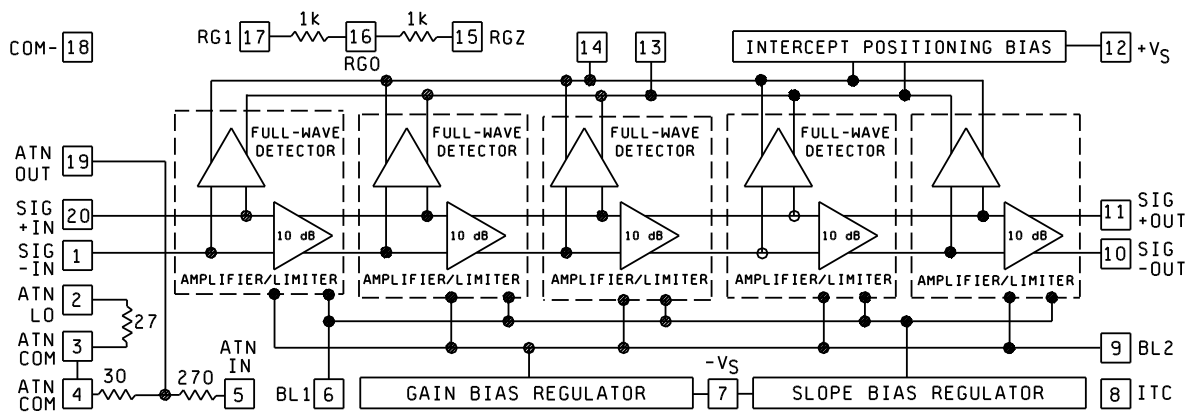


FIGURE 2. Block diagram.

STANDARD
MILITARY DRAWING
DEFENSE ELECTRONICS SUPPLY CENTER
DAYTON, OHIO 45444

SIZE
A

5962-90955

REVISION LEVEL

SHEET

8

3.10 Microcircuit group assignment for device classes M, B, and S. Device classes M, B, and S devices covered by this drawing shall be in microcircuit group number 49 (see MIL-M-38510, appendix E).

3.11 Serialization for device class S. All device class S devices shall be serialized in accordance with MIL-M-38510.

4. QUALITY ASSURANCE PROVISIONS

4.1 Sampling and inspection. For device class M, sampling and inspection procedures shall be in accordance with section 4 of MIL-M-38510 to the extent specified in MIL-STD-883 (see 3.1 herein). For device classes B and S, sampling and inspection procedures shall be in accordance with MIL-M-38510 and method 5005 of MIL-STD-883, except as modified herein. For device classes Q and V, sampling and inspection procedures shall be in accordance with MIL-I-38535 and the device manufacturer's QM plan.

4.2 Screening. For device class M, screening shall be in accordance with method 5004 of MIL-STD-883, and shall be conducted on all devices prior to quality conformance inspection. For device classes B and S, screening shall be in accordance with method 5004 of MIL-STD-883, and shall be conducted on all devices prior to qualification and quality conformance inspection. For device classes Q and V, screening shall be in accordance with MIL-I-38535, and shall be conducted on all devices prior to qualification and technology conformance inspection.

4.2.1 Additional criteria for device classes M, B, and S.

a. Burn-in test, method 1015 of MIL-STD-883.

- (1) Test condition B or D. For device class M, the test circuit shall be submitted to DESC-ECS for review with the certificate of compliance. For device classes B and S, the test circuit shall be submitted to the qualifying activity.
- (2) $T_A = +125^\circ \text{C}$, minimum.

b. Interim and final electrical test parameters shall be as specified in table IIA herein.

4.2.2 Additional criteria for device classes Q and V.

a. The burn-in test duration, test condition and test temperature or approved alternatives shall be as specified in the device manufacturer's QM plan in accordance with MIL-I-38535. The burn-in test circuit shall be submitted to DESC-ECS with the certificate of compliance and shall be under the control of the device manufacturer's Technology Review Board (TRB) in accordance with MIL-I-38535.

b. Interim and final electrical test parameters shall be as specified in table IIA herein.

c. Additional screening for device class V beyond the requirements of device class Q shall be as specified in appendix B of MIL-I-38535 and as detailed in table IIB herein.

4.3 Qualification inspection.

4.3.1 Qualification inspection for device classes B and S. Qualification inspection for device classes B and S shall be in accordance with MIL-M-38510. Inspections to be performed shall be those specified in method 5005 of MIL-STD-883 and herein for groups A, B, C, D, and E inspections (see 4.4.1 through 4.4.5).

4.3.2 Qualification inspection for device classes Q and V. Qualification inspection for device classes Q and V shall be in accordance with MIL-I-38535. Inspections to be performed shall be those specified in MIL-I-38535 and herein for groups A, B, C, D, and E inspections (see 4.4.1 through 4.4.5).

4.4 Conformance inspection. Quality conformance inspection for device class M shall be in accordance with MIL-STD-883 (see 3.1 herein) and as specified herein. Quality conformance inspection for device classes B and S shall be in accordance with MIL-M-38510 and as specified herein. Inspections to be performed for device classes M, B, and S shall be those specified in method 5005 of MIL-STD-883 and herein for groups A, B, C, D, and E inspections (see 4.4.1 through 4.4.5). Technology conformance inspection for classes Q and V shall be in accordance with MIL-I-38535 including groups A, B, C, D, and E inspections and as specified herein except where option 2 of MIL-I-38535 permits alternate in-line control testing.

4.4.1 Group A inspection.

- a. Tests shall be as specified in table IIA herein.
- b. Subgroups 5, 6, 7, 8, 9, 10, and 11 in table I, method 5005 of MIL-STD-883 shall be omitted.

| | | | |
|---|-------------------|----------------|-------------------|
| STANDARD MILITARY DRAWING DEFENSE ELECTRONICS SUPPLY CENTER DAYTON, OHIO 45444 | SIZE A | | 5962-90955 |
| | | REVISION LEVEL | SHEET 9 |

TABLE IIA. Electrical test requirements.

| Test requirements | Subgroups (per method 5005, table I) | | | Subgroups (per MIL-I-38535, table III) | |
|--|---|----------------------|----------------------|--|----------------------|
| | Device class M | Device class B | Device class S | Device class Q | Device class V |
| Interim electrical parameters (see 4.2) | 1 | 1 | 1 | 1 | 1 |
| Final electrical parameters (see 4.2) | 1,2,3,4 1/ | 1,2,3,4, 5,6 1/ | 1,2,3,4, 5,6 1/ | 1,2,3,4, 5,6 1/ | 1,2,3,4, 5,6 1/ |
| Group A test requirements (see 4.4) | 1,2,3,4 | 1,2,3,4, 5,6 | 1,2,3,4, 5,6 | 1,2,3,4, 5,6 | 1,2,3,4, 5,6 |
| Group B end-point electrical parameters (see 4.4) | --- | --- | 1,2,3,4, 5,6 | --- | 1,2,3,4, 5,6 |
| Group C end-point electrical parameters (see 4.4) | 1 | 1 2/ | --- | 1 | --- |
| Group D end-point electrical parameters (see 4.4) | 1 | 1 | 1 | 1 | 1 |
| Group E end-point electrical parameters (see 4.4) | 1,4 | 1,4 | 1,4 | 1,4 | 1,4 |

1/ PDA applies to subgroup 1.

2/ Delta limits in accordance with table IIc shall be computed with reference to the previous electrical parameters.

4.4.2 Group B inspection. The group B inspection end-point electrical parameters shall be as specified in table IIA herein.

4.4.3 Group C inspection. The group C inspection end-point electrical parameters shall be as specified in table IIA herein.

4.4.3.1 Additional criteria for device classes M, B, and S. Steady-state life test conditions, method 1005 of MIL-STD-883:

- a. Test condition B or D. For device class M, the test circuit shall be submitted to DESC-ECS for review with the certificate of compliance. For device classes B and S, the test circuit shall be submitted to the qualifying activity.
- b. $T_A = +125^\circ\text{C}$, minimum.
- c. Test duration: 1,000 hours, except as permitted by method 1005 of MIL-STD-883.

4.4.3.2 Additional criteria for device classes Q and V. The steady-state life test duration, test condition and test temperature or approved alternatives shall be as specified in the device manufacturer's QM plan in accordance with MIL-I-38535. The steady-state life test circuit shall be submitted to DESC-ECS with the certificate of compliance and shall be under the control of the device manufacturer's TRB in accordance with MIL-I-38535.

| | | | |
|---|-------------------|----------------|--------------------|
| STANDARD MILITARY DRAWING DEFENSE ELECTRONICS SUPPLY CENTER DAYTON, OHIO 45444 | SIZE A | | 5962-90955 |
| | | REVISION LEVEL | SHEET 10 |

4.4.4 Group D inspection. The group D inspection end-point electrical parameters shall be as specified in table IIA herein.

TABLE IIB. Additional screening for device class V.

| Test | MIL-STD-883, test method | Lot requirement |
|---------------------------------|---|-----------------|
| Particle impact noise detection | 2020 | 100% |
| Internal visual | 2010, condition A or approved alternate | 100% |
| Nondestructive bond pull | 2023 or approved alternate | 100% |
| Reverse bias burn-in | 1015 | 100% |
| Burn-in | 1015, total of 240 hours at +125° C | 100% |
| Radiographic | 2012 | 100% |

TABLE IIC. Delta limits at +25° C.

| Parameters 1/ | Device type |
|------------------|--|
| | All |
| T _A | ±10 percent of specified value in table I. |
| LE _{dc} | ±10 percent of specified value in table I. |
| LE _{ac} | ±10 percent of specified value in table I. |

1/ The above parameters shall be recorded before and after the required burn-in and life tests to determine the delta.

4.4.5 Group E inspection. Group E inspection is required only for parts intended to be marked as radiation hardness assured (see 3.5 herein). RHA levels for device classes B, S, Q, and V shall be M, D, R, and H and for device class M shall be M and D. RHA quality conformance inspection sample tests shall be performed at the RHA level specified in the acquisition document.

- a. RHA tests for device classes B and S for levels M, D, R, and H or for device class M for levels M and D shall be performed through each level to determine at what levels the devices meet the RHA requirements. These RHA tests shall be performed for initial qualification and after design or process changes which may affect the RHA performance of the device.
- b. End-point electrical parameters shall be as specified in table IIA herein.
- c. Prior to total dose irradiation, each selected sample shall be assembled in its qualified package. It shall pass the specified group A electrical parameters in table I for subgroups specified in table IIA herein.

| | | | |
|---|-------------------|----------------|--------------------|
| STANDARD MILITARY DRAWING DEFENSE ELECTRONICS SUPPLY CENTER DAYTON, OHIO 45444 | SIZE A | | 5962-90955 |
| | | REVISION LEVEL | SHEET 11 |

- d. For device classes M, B, and S, the devices shall be subjected to radiation hardness assured tests as specified in MIL-M-38510 for RHA level being tested, and meet the postirradiation end-point electrical parameter limits as defined in table I at $T_A = +25^\circ\text{C} \pm 5$ percent, after exposure.
- e. Prior to and during total dose irradiation testing, the devices shall be biased to establish a worst case condition as specified in the radiation exposure circuit.
- f. For device classes M, B, and S, subgroups 1 and 2 in table V, method 5005 of MIL-STD-883 shall be tested as appropriate for device construction.
- g. When specified in the purchase order or contract, a copy of the RHA delta limits shall be supplied.

5. PACKAGING

5.1 Packaging requirements. The requirements for packaging shall be in accordance with MIL-M-38510 for device classes M, B, and S and MIL-I-38535 for device classes Q and V.

6. NOTES

6.1 Intended use. Microcircuits conforming to this drawing are intended for use for Government microcircuit applications (original equipment), design applications, and logistics purposes.

6.1.1 Replaceability. Microcircuits covered by this drawing will replace the same generic device covered by a contractor-prepared specification or drawing.

6.1.2 Substitutability. Device classes B and Q devices will replace device class M devices.

6.2 Configuration control of SMD's. All proposed changes to existing SMD's will be coordinated with the users of record for the individual documents. This coordination will be accomplished in accordance with MIL-STD-481 using DD Form 1693, Engineering Change Proposal (Short Form).

6.3 Record of users. Military and industrial users shall inform Defense Electronics Supply Center when a system application requires configuration control and which SMD's are applicable to that system. DESC will maintain a record of users and this list will be used for coordination and distribution of changes to the drawings. Users of drawings covering microelectronic devices (FSC 5962) should contact DESC-ECS, telephone (513) 296-6022.

6.4 Comments. Comments on this drawing should be directed to DESC-ECS, Dayton, Ohio 45444, or telephone (513) 296-5375.

6.5 Symbols, definitions, and functional descriptions.

6.6 One part - one part number system. The one part - one part number system described below has been developed to allow for transitions between identical generic devices covered by the four major microcircuit requirements documents (MIL-M-38510, MIL-H-38534, MIL-I-38535, and 1.2.1 of MIL-STD-883) without the necessity for the generation of unique PIN's. The four military requirements documents represent different class levels, and previously when a device manufacturer upgraded military product from one class level to another, the benefits of the upgraded product were unavailable to the Original Equipment Manufacturer (OEM), that was contractually locked into the original unique PIN. By establishing a one part number system covering all four documents, the OEM can acquire to the highest class level available for a given generic device to meet system needs without modifying the original contract parts selection criteria.

| <u>Military documentation format</u> | <u>Example PIN under new system</u> | <u>Manufacturing source listing</u> | <u>Document listing</u> |
|--|---|-------------------------------------|-------------------------|
| New MIL-M-38510 Military Detail Specifications (in the SMD format) | 5962-XXXXXZZ(B or S)YY (Part 1 or 2) | QPL-38510 | MIL-BUL-103 |
| New MIL-H-38534 Standardized Military Drawings | 5962-XXXXXZZ(H or K)YY | QML-38534 | MIL-BUL-103 |
| New MIL-I-38535 Standardized Military Drawings | 5962-XXXXXZZ(Q or V)YY | QML-38535 | MIL-BUL-103 |
| New 1.2.1 of MIL-STD-883 Standardized Military Drawings | 5962-XXXXXZZ(M)YY | MIL-BUL-103 | MIL-BUL-103 |

| | | | |
|---|-------------------|----------------|--------------------|
| STANDARD MILITARY DRAWING DEFENSE ELECTRONICS SUPPLY CENTER DAYTON, OHIO 45444 | SIZE A | | 5962-90955 |
| | | REVISION LEVEL | SHEET 12 |

6.7 Sources of supply.

6.7.1 Sources of supply for device classes B and S. Sources of supply for device classes B and S are listed in QPL-38510.

6.7.2 Sources of supply for device classes Q and V. Sources of supply for device classes Q and V are listed in QML-38535. The vendors listed in QML-38535 have submitted a certificate of compliance (see 3.6 herein) to DESC-ECS and have agreed to this drawing.

6.7.3 Approved sources of supply for device class M. Approved sources of supply for class M are listed in MIL-BUL-103. The vendors listed in MIL-BUL-103 have agreed to this drawing and a certificate of compliance (see 3.6 herein) has been submitted to and accepted by DESC-ECS.

| | | | |
|---|-------------------|----------------|--------------------|
| STANDARD MILITARY DRAWING DEFENSE ELECTRONICS SUPPLY CENTER DAYTON, OHIO 45444 | SIZE A | | 5962-90955 |
| | | REVISION LEVEL | SHEET 13 |

STANDARDIZED MILITARY DRAWING SOURCE APPROVAL BULLETIN

DATE: 91-09-05

Approved sources of supply for SMD 5962-90955 are listed below for immediate acquisition only and shall be added to MIL-BUL-103 during the next revision. MIL-BUL-103 will be revised to include the addition or deletion of sources. The vendors listed below have agreed to this drawing and a certificate of compliance has been submitted to and accepted by DESC-ECS. This bulletin is superseded by the next dated revision of MIL-BUL-103.

| Standardized military drawing PIN | Vendor CAGE number | Vendor similar PIN <u>1/</u> |
|-----------------------------------|--------------------|------------------------------|
| 5962-9095501MRX | 24355 | AD640TD/883B |
| 5962-9095501M2X | 24355 | AD640TE/883B |

1/ Caution. Do not use this number for item acquisition. Items acquired to this number may not satisfy the performance requirements of this drawing.

Vendor CAGE number

24355

Vendor name and address

Analog Devices
 RT. 1 Industrial Park
 P.O. Box 9106
 Norwood, MA 02062
 Point of contact:

804 Woburn Street
 Wilmington, MA 01887

| |
|--|
| <p>The information contained herein is disseminated for convenience only and the Government assumes no liability whatsoever for any inaccuracies in this information bulletin.</p> |
|--|