

# **ADSP-BF533 EZ-KIT Lite® Evaluation System Manual**

Revision 2.1, April 2006

Part Number  
82-000730-01

Analog Devices, Inc.  
One Technology Way  
Norwood, Mass. 02062-9106



## **Copyright Information**

©2006 Analog Devices, Inc., ALL RIGHTS RESERVED. This document may not be reproduced in any form without prior, express written consent from Analog Devices, Inc.

Printed in the USA.

## **Limited Warranty**

The EZ-KIT Lite evaluation system is warranted against defects in materials and workmanship for a period of one year from the date of purchase from Analog Devices or from an authorized dealer.

## **Disclaimer**

Analog Devices, Inc. reserves the right to change this product without prior notice. Information furnished by Analog Devices is believed to be accurate and reliable. However, no responsibility is assumed by Analog Devices for its use; nor for any infringement of patents or other rights of third parties which may result from its use. No license is granted by implication or otherwise under the patent rights of Analog Devices, Inc.

## **Trademark and Service Mark Notice**

The Analog Devices logo, VisualDSP++, VisualDSP++ logo, Blackfin, CROSSCORE logo, and EZ-KIT Lite are registered trademarks of Analog Devices, Inc.

All other brand and product names are trademarks or service marks of their respective owners.

## Regulatory Compliance

The ADSP-BF533 EZ-KIT Lite evaluation system has been certified to comply with the essential requirements of the European EMC directive 89/336/EEC (inclusive 93/68/EEC) and, therefore, carries the “CE” mark.

The ADSP-BF533 EZ-KIT Lite evaluation system had been appended to Analog Devices Development Tools Technical Construction File referenced “DSPTOOLS1” dated December 21, 1997 and was awarded CE Certification by an appointed European Competent Body and is on file.



The EZ-KIT Lite evaluation system contains ESD (electrostatic discharge) sensitive devices. Electrostatic charges readily accumulate on the human body and equipment and can discharge without detection. Permanent damage may occur on devices subjected to high-energy discharges. Proper ESD precautions are recommended to avoid performance degradation or loss of functionality. Store unused EZ-KIT Lite boards in the protective shipping package.





# CONTENTS

## PREFACE

Purpose of This Manual .....	xii
Intended Audience .....	xii
Manual Contents .....	xiii
What's New in This Manual .....	xiv
Technical or Customer Support .....	xiv
Supported Processors .....	xv
Product Information .....	xv
MyAnalog.com .....	xv
Processor Product Information .....	xvi
Related Documents .....	xvi
Online Technical Documentation .....	xvii
Accessing Documentation From VisualDSP++ .....	xviii
Accessing Documentation From Windows .....	xviii
Accessing Documentation From Web .....	xix
Printed Manuals .....	xix
VisualDSP++ Documentation Set .....	xix
Hardware Tools Manuals .....	xix
Processor Manuals .....	xx

# CONTENTS

Data Sheets .....	xx
Notation Conventions .....	xxi

## USING ADSP-BF533 EZ-KIT LITE

Package Contents .....	1-2
Default Configuration .....	1-3
Installation and Session Startup .....	1-4
Evaluation License Restrictions .....	1-6
Memory Map .....	1-7
SDRAM Interface .....	1-8
Flash Memory .....	1-9
Flash Memory Map .....	1-10
Flash General-Purpose IO .....	1-11
Configuring Flash Memory .....	1-13
LEDs and Push Buttons .....	1-14
Audio Interface .....	1-14
Video Interface .....	1-16
Example Programs .....	1-17
Background Telemetry Channel .....	1-17

## ADSP-BF533 EZ-KIT LITE HARDWARE REFERENCE

System Architecture .....	2-2
External Bus Interface Unit .....	2-3
SPORT0 Audio Interface .....	2-3
SPI Interface .....	2-4

Programmable Flags .....	2-4
PPI Interface .....	2-5
Video Output Mode .....	2-7
Video Input Mode .....	2-7
UART Port .....	2-7
Expansion Interface .....	2-8
JTAG Emulation Port .....	2-8
Jumper and Switch Settings .....	2-9
Boot Mode Select Jumpers (JP1 and JP2) .....	2-9
Test DIP Switches (SW1 and SW2) .....	2-10
Video Configuration Switch (SW3) .....	2-10
Push Button Enable Switch (SW9) .....	2-11
LEDs and Push Buttons .....	2-12
Programmable Flag Push Buttons (SW4–7) .....	2-13
Reset Push Button (SW8) .....	2-13
Power LED (LED1) .....	2-13
Reset LEDs (LED2 and LED3) .....	2-14
User LEDs (LED4–9) .....	2-14
USB Monitor LED (LED11) .....	2-15
Connectors .....	2-16
Expansion Interface (J1–3) .....	2-16
Audio (J4 and J5) .....	2-17
Video (J8) .....	2-17
Power (J9) .....	2-17

# CONTENTS

FlashLINK (P1) .....	2-18
RS-232 (P2) .....	2-19
SPORT0 (P3) .....	2-19
JTAG (P4) .....	2-20

## ADSP-BF533 EZ-KIT LITE BILL OF MATERIALS

## ADSP-BF533 EZ-KIT LITE SCHEMATIC

Title Page .....	B-1
ADSP-BF533 Processor .....	B-2
Memory .....	B-3
Audio Codec .....	B-4
Audio Out .....	B-5
Audio In .....	B-6
Video Out .....	B-7
Video In .....	B-8
IO/Reset/UART .....	B-9
Connectors .....	B-10
Power .....	B-11
Bypass Caps .....	B-12

## INDEX



# PREFACE

Thank you for purchasing the ADSP-BF533 EZ-KIT Lite<sup>®</sup>, Analog Devices, Inc. evaluation system for Blackfin<sup>®</sup> processors.

Blackfin processors support a media instruction set computing (MISC) architecture. This architecture is the natural merging of RISC, media functions, and digital signal processing (DSP) characteristics. Blackfin processors deliver signal-processing performance in a microprocessor-like environment.


The evaluation board is designed to be used in conjunction with the VisualDSP++<sup>®</sup> development environment to test the capabilities of the ADSP-BF533 Blackfin processors. The VisualDSP++ development environment gives you the ability to perform advanced application code development and debug, such as:

- Create, compile, assemble, and link application programs written in C++, C and ADSP-BF533 assembly
- Load, run, step, halt, and set breakpoints in application program
- Read and write data and program memory
- Read and write core and peripheral registers
- Plot memory

Access to the ADSP-BF533 processor from a personal computer (PC) is achieved through a USB port or an optional JTAG emulator. The USB interface gives unrestricted access to the ADSP-BF533 processor and the evaluation board peripherals. Analog Devices JTAG emulators offer faster

communication between the host PC and target hardware. Analog Devices carries a wide range of in-circuit emulation products. To learn more about Analog Devices emulators and processor development tools, go to <http://www.analog.com/dsp/tools/>.

ADSP-BF533 EZ-KIT Lite provides example programs to demonstrate the capabilities of the evaluation board.

 The ADSP-BF533 EZ-KIT Lite installation is part of the VisualDSP++ installation. The EZ-KIT Lite is a licensed product that offers an unrestricted evaluation license for the first 90 days. For details about evaluation license restrictions after the 90 days, refer to “[Evaluation License Restrictions](#)” on page 1-6 and the *VisualDSP++ Installation Quick Reference Card*.

The board features:

- Analog Devices ADSP-BF533 processor
  - ✓ Performance to 756 MHz
  - ✓ 160-pin mini-BGA package
  - ✓ 27 MHz CLKIN oscillator
- Synchronous dynamic random access memory (SDRAM)
  - ✓ MT48LC32M16 - 64 MB (32M x 16 bits)
- Flash memories
  - ✓ 2 MB (512K x 16 x 2chips)
- Analog audio interface
  - ✓ AD1836 – Analog Devices 96 kHz audio codec
  - ✓ 4 input RCA phono jacks (2 channels)
  - ✓ 6 output RCA phono jacks (3 channels)

- Analog video interface
  - ✓ ADV7183 video decoder w/ 3 input RCA phono jacks
  - ✓ ADV7171 video encoder w/ 3 output RCA phono jacks
- Universal asynchronous receiver/transmitter (UART)
  - ✓ ADM3202 RS-232 line driver/receiver
  - ✓ DB9 male connector
- LEDs
  - ✓ 10 LEDs: 1 power (green), 1 board reset (red), 1 USB (red), 6 general purpose (amber), and 1 USB monitor (amber)
- Push buttons
  - ✓ 5 push buttons with debounce logic: 1 reset, 4 programmable flags
- Expansion interface
  - ✓ PPI, SPI, EBIU, Timers2-0, UART, programmable flags, SPORT0, SPORT1
- Other features
  - ✓ JTAG ICE 14-pin header

The EZ-KIT Lite board has two flash memories with a total of 2 MB of memory. The flash memories can be used to store user-specific boot code, allowing the board to run as a stand-alone unit. For more information, see [“Flash Memory” on page 1-9](#). The board also has 64 MB of SDRAM, which can be used by the user at runtime.

SPORT0 interfaces with the AD1836 audio codec to aid development of audio signal processing applications. SPORT0 also attaches to an off-board connector for communication with other serial devices. For information about SPORT0, see [“SPORT0 Audio Interface” on page 2-3](#).

## Purpose of This Manual

The parallel peripheral interface (PPI) of the processor connects to both a video encoder and video decoder, facilitating development of video signal processing applications.

The UART of the processor connects to an RS-232 line driver and a DB9 male connector, providing an interface to a PC or other serial device.

Additionally, the EZ-KIT Lite board provides access to most of the processor's peripheral ports. Access is provided in the form of a three-connector expansion interface. For information about the expansion interface, see [“Expansion Interface” on page 2-8](#).

## Purpose of This Manual

The *ADSP-BF533 EZ-KIT Lite Evaluation System Manual* provides instructions for installing the product hardware (board). The text describes the operation and configuration of the board components and provides guidelines for running your own code on the ADSP-BF533 EZ-KIT Lite. Finally, a schematic and a bill of materials are provided as a reference for future designs.

The product software installation is detailed in the *VisualDSP++ Installation Quick Reference Card*.

## Intended Audience

The primary audience for this manual is a programmer who is familiar with Analog Devices processors. This manual assumes that the audience has a working knowledge of the appropriate processor architecture and instruction set. Programmers who are unfamiliar with Analog Devices processors can use this manual but should supplement it with other texts (such as the *ADSP-BF533 Processor Hardware Reference* and the *Blackfin Processor Instruction Set Reference*) that describe your target architecture.

Programmers who are unfamiliar with VisualDSP++ should refer to the VisualDSP++ online Help and user's or getting started guides. For the locations of these documents, see [“Related Documents”](#).

## Manual Contents

The manual consists of:

- Chapter 1, [“Using ADSP-BF533 EZ-KIT Lite” on page 1-1](#)  
Describes the EZ-KIT Lite functionality from a programmer's perspective and provides an easy-to-access memory map.
- Chapter 2, [“ADSP-BF533 EZ-KIT Lite Hardware Reference” on page 2-1](#)  
Provides information on the EZ-KIT Lite hardware components.
- Appendix A, [“ADSP-BF533 EZ-KIT Lite Bill Of Materials” on page A-1](#)  
Provides a list of components used to manufacture the EZ-KIT Lite board.
- Appendix B, [“ADSP-BF533 EZ-KIT Lite Schematic” on page B-1](#)  
Provides the resources to allow EZ-KIT Lite board-level debugging or to use as a reference design.



Appendix B now is part of the online Help. The PDF version of the *ADSP-BF533 EZ-KIT Lite Evaluation System Manual* is located in the Docs\EZ-KIT Lite Manuals folder on the installation CD. Alternatively, the schematics can be found on the Analog Devices Web site: [www.analog.com/processors](http://www.analog.com/processors).

## What's New in This Manual

# What's New in This Manual

The *ADSP-BF533 EZ-KIT Lite Evaluation System Manual* has been updated for VisualDSP++ 4.5.

## Technical or Customer Support

You can reach Analog Devices, Inc. Customer Support in the following ways:

- Visit the Embedded Processing and DSP products Web site at <http://www.analog.com/processors/technicalSupport>
- E-mail tools questions to [processor.tools.support@analog.com](mailto:processor.tools.support@analog.com)
- E-mail processor questions to [processor.support@analog.com](mailto:processor.support@analog.com) (World wide support)  
[processor.europe@analog.com](mailto:processor.europe@analog.com) (Europe support)  
[processor.china@analog.com](mailto:processor.china@analog.com) (China support)
- Phone questions to **1-800-ANALOGD**
- Contact your Analog Devices, Inc. local sales office or authorized distributor
- Send questions by mail to:  
Analog Devices, Inc.  
One Technology Way  
P.O. Box 9106  
Norwood, MA 02062-9106  
USA

## Supported Processors

This evaluation system supports Analog Devices ADSP-BF533 Blackfin processors.

## Product Information

You can obtain product information from the Analog Devices Web site, from the product CD-ROM, or from the printed publications (manuals).

Analog Devices is online at [www.analog.com](http://www.analog.com). Our Web site provides information about a broad range of products—analogue integrated circuits, amplifiers, converters, and digital signal processors.

## MyAnalog.com

MyAnalog.com is a free feature of the Analog Devices Web site that allows customization of a Web page to display only the latest information on products you are interested in. You can also choose to receive weekly e-mail notifications containing updates to the Web pages that meet your interests. MyAnalog.com provides access to books, application notes, data sheets, code examples, and more.

### Registration:

Visit [www.myanalog.com](http://www.myanalog.com) to sign up. Click **Register** to use MyAnalog.com. Registration takes about five minutes and serves as means for you to select the information you want to receive.

If you are already a registered user, just log on. Your user name is your e-mail address.

## Product Information

### Processor Product Information

For information on embedded processors and DSPs, visit our Web site at [www.analog.com/processors](http://www.analog.com/processors), which provides access to technical publications, data sheets, application notes, product overviews, and product announcements.

You may also obtain additional information about Analog Devices and its products in any of the following ways.

- E-mail questions or requests for information to  
[processor.support@analog.com](mailto:processor.support@analog.com) (World wide support)  
[processor.europe@analog.com](mailto:processor.europe@analog.com) (Europe support)  
[processor.china@analog.com](mailto:processor.china@analog.com) (China support)
- Fax questions or requests for information to  
1-781-461-3010 (North America)  
+49-89-76903-157 (Europe)

### Related Documents

For information on product related development software, see the following publications.

Table 1. Related Processor Publications

Title	Description
<i>ADSP-BF533 Embedded Processor Datasheet</i>	General functional description, pinout, and timing.
<i>ADSP-BF533 Blackfin Processor Hardware Reference</i>	Description of internal processor architecture and all register functions.
<i>Blackfin Processor Instruction Set Reference</i>	Description of all allowed processor assembly instructions.



Table 2. Related VisualDSP++ Publications

Title	Description
<i>VisualDSP++ User's Guide</i>	Description of VisualDSP++ features and usage.
<i>VisualDSP++ Assembler and Preprocessor Manuals</i>	Description of the assembler function and commands.
<i>VisualDSP++ C/C++ Compiler and Library Manual for Blackfin Processors</i>	Description of the compiler function and commands for Blackfin processors.
<i>VisualDSP++ Linker and Utilities Manual</i>	Description of the linker function and commands.
<i>VisualDSP++ Loader and Utilities Manual</i>	Description of the loader/splitter function and commands.



If you plan to use the EZ-KIT Lite board in conjunction with a JTAG emulator, also refer to the documentation that accompanies the emulator.

All documentation is available online. Most documentation is available in printed form.

Visit the Technical Library Web site to access all processor and tools manuals and data sheets:

<http://www.analog.com/processors/resources/technicalLibrary>.

## Online Technical Documentation

Online documentation comprises the VisualDSP++ Help system, software tools manuals, hardware tools manuals, processor manuals, the Dinkum Abridged C++ library, and Flexible License Manager (FlexLM) network license manager software documentation. You can easily search across the entire VisualDSP++ documentation set for any topic of interest. For easy printing, supplementary .pdf files of most manuals are provided in the Docs folder on the VisualDSP++ installation CD.

Each documentation file type is described as follows.

## Product Information

File	Description
.chm	Help system files and manuals in Help format
.htm or .html	Dinkum Abridged C++ library and FlexLM network license manager software documentation. Viewing and printing the .html files requires a browser, such as Internet Explorer 5.01 (or higher).
.pdf	VisualDSP++ and processor manuals in Portable Documentation Format (PDF). Viewing and printing the .pdf files requires a PDF reader, such as Adobe Acrobat Reader (4.0 or higher).

If documentation is not installed on your system as part of the software installation, you can add it from the VisualDSP++ CD at any time by running the Tools installation. Access the online documentation from the VisualDSP++ environment, Windows<sup>®</sup> Explorer, or the Analog Devices Web site.

### Accessing Documentation From VisualDSP++

To view VisualDSP++ Help, click on the **Help** menu item or go to the Windows task bar and navigate to the VisualDSP++ documentation via the **Start** menu.

To view ADSP-BF533 EZ-KIT Lite Help, which is part of the VisualDSP++ Help system, use the **Contents** or **Search** tab of the Help window.

### Accessing Documentation From Windows

In addition to any shortcuts you may have constructed, there are many ways to open VisualDSP++ online Help or the supplementary documentation from Windows.

Help system files (.chm) are located in the `Help` folder, and .pdf files are located in the `Docs` folder of your VisualDSP++ installation CD-ROM. The `Docs` folder also contains the Dinkum Abridged C++ library and the FlexLM network license manager software documentation.

Your software installation kit includes online Help as part of the Windows<sup>®</sup> interface. These help files provide information about VisualDSP++ and the ADSP-BF533 EZ-KIT Lite evaluation system.

### Accessing Documentation From Web

Download manuals at the following Web site:

<http://www.analog.com/processors/resources/technicalLibrary/manuals>.

Select a processor family and book title. Download archive (.zip) files, one for each manual. Use any archive management software, such as WinZip, to decompress downloaded files.

### Printed Manuals

For general questions regarding literature ordering, call the Literature Center at 1-800-ANALOGD (1-800-262-5643) and follow the prompts.

### VisualDSP++ Documentation Set

To purchase VisualDSP++ manuals, call 1-603-883-2430. The manuals may be purchased only as a kit.

If you do not have an account with Analog Devices, you are referred to Analog Devices distributors. For information on our distributors, log onto <http://www.analog.com/salesdir/continent.asp>.

### Hardware Tools Manuals

To purchase EZ-KIT Lite and in-circuit emulator (ICE) manuals, call 1-603-883-2430. The manuals may be ordered by title or by product number located on the back cover of each manual.

## Product Information

### Processor Manuals

Hardware reference and instruction set reference manuals may be ordered through the Literature Center at **1-800-ANALOGD (1-800-262-5643)**, or downloaded from the Analog Devices Web site. Manuals may be ordered by title or by product number located on the back cover of each manual.


### Data Sheets

All data sheets (preliminary and production) may be downloaded from the Analog Devices Web site. Only production (final) data sheets (Rev. 0, A, B, C, and so on) can be obtained from the Literature Center at **1-800-ANALOGD (1-800-262-5643)**; they also can be downloaded from the Web site.


To have a data sheet faxed to you, call the Analog Devices Faxback System at **1-800-446-6212**. Follow the prompts and a list of data sheet code numbers will be faxed to you. If the data sheet you want is not listed, check for it on the Web site.

## Notation Conventions

Text conventions used in this manual are identified and described as follows.

Example	Description
Close command (File menu)	Titles in reference sections indicate the location of an item within the VisualDSP++ environment's menu system (for example, the <b>Close</b> command appears on the <b>File</b> menu).
{this   that}	Alternative required items in syntax descriptions appear within curly brackets and separated by vertical bars; read the example as <i>this</i> or <i>that</i> . One or the other is required.
[this   that]	Optional items in syntax descriptions appear within brackets and separated by vertical bars; read the example as an optional <i>this</i> or <i>that</i> .
[this,...]	Optional item lists in syntax descriptions appear within brackets delimited by commas and terminated with an ellipsis; read the example as an optional comma-separated list of <i>this</i> .
.SECTION	Commands, directives, keywords, and feature names are in text with letter gothic font.
<i>filename</i>	Non-keyword placeholders appear in text with italic style format.
	<b>Note:</b> For correct operation, ... A Note provides supplementary information on a related topic. In the online version of this book, the word <b>Note</b> appears instead of this symbol.
	<b>Caution:</b> Incorrect device operation may result if ... <b>Caution:</b> Device damage may result if ... A Caution identifies conditions or inappropriate usage of the product that could lead to undesirable results or product damage. In the online version of this book, the word <b>Caution</b> appears instead of this symbol.
	<b>Warning:</b> Injury to device users may result if ... A Warning identifies conditions or inappropriate usage of the product that could lead to conditions that are potentially hazardous for the devices users. In the online version of this book, the word <b>Warning</b> appears instead of this symbol.

## Notation Conventions

 Additional conventions, which apply only to specific chapters, may appear throughout this document.

# 1 USING ADSP-BF533 EZ-KIT LITE

This chapter provides specific information to assist you with development of programs for the ADSP-BF533 EZ-KIT Lite evaluation system.

The information appears in the following sections.

- [“Package Contents” on page 1-2](#)  
Lists the items contained in your ADSP-BF533 EZ-KIT Lite package.
- [“Default Configuration” on page 1-3](#)  
Shows the default configuration of the ADSP-BF533 EZ-KIT Lite.
- [“Installation and Session Startup” on page 1-4](#)  
Instructs how to start a new or open an existing ADSP-BF533 EZ-KIT Lite session using VisualDSP++.
- [“Evaluation License Restrictions” on page 1-6](#)  
Describes the restrictions of the VisualDSP++ demo license shipped with the EZ-KIT Lite.
- [“Memory Map” on page 1-7](#)  
Defines the ADSP-BF533 EZ-KIT Lite board’s memory map.
- [“SDRAM Interface” on page 1-8](#)  
Defines the register values to configure the on-board SDRAM.
- [“Flash Memory” on page 1-9](#)  
Describes the on-board flash memory.
- [“LEDs and Push Buttons” on page 1-14](#)  
Describes the board’s general-purpose IO pins and buttons.

## Package Contents

- [“Audio Interface” on page 1-14](#)  
Describes the board’s audio interface.
- [“Video Interface” on page 1-16](#)  
Describes the board’s video interface.
- [“Example Programs” on page 1-17](#)  
Provides information about the example programs included in the ADSP-BF533 EZ-KIT Lite evaluation system.
- [“Background Telemetry Channel” on page 1-17](#)  
Highlights the advantages of the background telemetry channel feature of VisualDSP++.

For information on the graphical user interface, including the boot loading, target options, and other facilities of the EZ-KIT Lite system, refer to the online Help.

For more detailed information about programming the ADSP-BF533 Blackfin processor, see the documents referred to as [“Related Documents”](#).

## Package Contents

Your ADSP-BF533 EZ-KIT Lite evaluation system package contains the following items.

- ADSP-BF533 EZ-KIT Lite board
- *VisualDSP++ Installation Quick Reference Card*
- CD containing:
  - ✓ VisualDSP++ software
  - ✓ ADSP-BF533 EZ-KIT Lite debug software



- ✓ USB driver files
  - ✓ Example programs
  - ✓ ADSP-BF533 *EZ-KIT Lite Evaluation System Manual* (this document)
- Universal 7.5V DC power supply
  - USB 2.0 type cable
  - Registration card (please fill out and return)

If any item is missing, contact the vendor where you purchased your EZ-KIT Lite or contact Analog Devices, Inc.

## Default Configuration

The EZ-KIT Lite evaluation system contains ESD (electrostatic discharge) sensitive devices. Electrostatic charges readily accumulate on the human body and equipment and can discharge without detection. Permanent damage may occur on devices subjected to high-energy discharges. Proper ESD precautions are recommended to avoid performance degradation or loss of functionality. Store unused EZ-KIT Lite boards in the protective shipping package.



The ADSP-BF533 EZ-KIT Lite board is designed to run outside your personal computer as a stand-alone unit. You do not have to open your computer case.

When removing the EZ-KIT Lite board from the package, handle the board carefully to avoid the discharge of static electricity, which may damage some components. [Figure 1-1](#) shows the default jumper settings, DIP switch, connector locations, and LEDs used in installation. Confirm that your board is set up in the default configuration before using the board.

## Installation and Session Startup

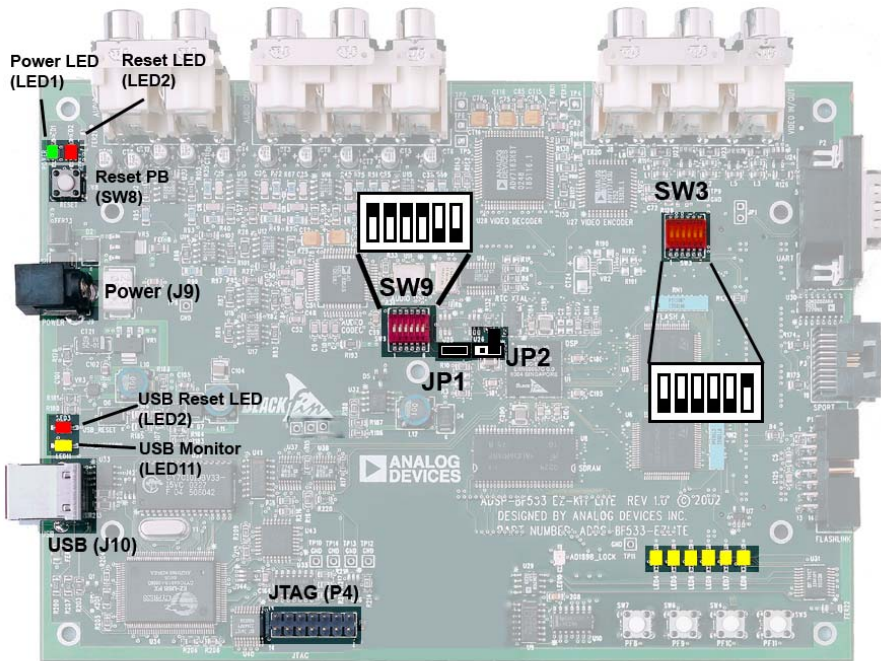


Figure 1-1. EZ-KIT Lite Hardware Setup

## Installation and Session Startup

**i** For correct operation, install the software and hardware in the order presented in the *VisualDSP++ Installation Quick Reference Card*.

1. Verify that the yellow USB monitor LED (LED11, located near the USB connector) is lit. This signifies that the board is communicating properly with the host PC and is ready to run VisualDSP++.
2. If you are running VisualDSP++ for the first time, navigate to the VisualDSP++ environment via the **Start** → **Programs** menu. The main window appears. Note that VisualDSP++ does not connect to

any session. Skip the rest of this step to step 3.

If you have run VisualDSP++ previously, the last opened session appears on the screen. You can override the default behavior and force VisualDSP++ to start a new session by pressing and holding down the **Ctrl** key while starting VisualDSP++. Do not release the **Ctrl** key until the **Session Wizard** appears on the screen. Go to step 4.

3. To connect to a new EZ-KIT Lite session, start **Session Wizard** by selecting one of the following.
  - From the **Session** menu, **New Session**.
  - From the **Session** menu, **Session List**. Then click **New Session** from the **Session List** dialog box.
  - From the **Session** menu, **Connect to Target**. Then click **New Session** from the **Session List** dialog box.
4. The **Select Processor** page of the wizard appears on the screen. Ensure **Blackfin** is selected in **Processor family**. In **Choose a target processor**, select **ADSP-BF533**. Click **Next**.
5. The **Select Connection Type** page of the wizard appears on the screen. Select **EZ-KIT Lite** and click **Next**.
6. The **Select Platform** page of the wizard appears on the screen. In the **Select your platform** list, select **ADSP-BF533 EZ-KIT Lite via Debug Agent**. In **Session name**, highlight or specify the session name.

The session name can be a string of any length; although, the box displays approximately 32 characters. The session name can include space characters. If you do not specify a session name, VisualDSP++ creates a session name by combining the name of the selected platform with the selected processor. The only way to change a session name later is to delete the session and to open a


## Evaluation License Restrictions

new session.

Click **Next**.

7. The **Finish** page of the wizard appears on the screen. The page displays your selections. If you are satisfied, click **Finish**. If not, click **Back** to make changes.



To disconnect from a session, click the disconnect button  or select **Session** → **Disconnect from Target**.

To delete a session, select **Session** → **Session List**. Select the session name from the list and click **Delete**. Click **OK**.

## Evaluation License Restrictions

The ADSP-BF533 EZ-KIT Lite installation is part of the VisualDSP++ installation. The EZ-KIT Lite is a licensed product that offers an unrestricted evaluation license for the first 90 days. Once the initial unrestricted 90-day evaluation license expires:

- VisualDSP++ allows a connection to the ADSP-BF533 EZ-KIT Lite via the USB debug agent interface only. Connections to simulators and emulation products are no longer allowed.
- The linker restricts a users program to 20 KB of internal memory for code space with no restrictions for data space.



The EZ-KIT Lite hardware must be connected and powered up to use VisualDSP++ with a valid evaluation or permanent license.

Refer to the *VisualDSP++ Installation Quick Reference Card* for details.

## Memory Map

The ADSP-BF533 processor has internal SRAM that can be used for instruction or data storage. The configuration of internal SRAM is detailed in the *ADSP-BF533 Processor Hardware Reference*.

The ADSP-BF533 EZ-KIT Lite board includes two types of external memory, SDRAM and flash memory.

The size of the SDRAM is 64 Mbytes (32M x 16-bits). The processor's memory select pin  $\sim$ SMS0 is configured for the SDRAM.

The flash memory is implemented with two dual-bank flash memory devices. These devices include primary and secondary flash memory as well as internal SRAM and registers. Primary flash memory totals 2 Mbytes mapped into two separate asynchronous memory banks, 1 Mbyte each. Secondary flash memory, along with SRAM and registers, occupies the third bank of asynchronous memory space. The processor's  $\sim$ AMS0,  $\sim$ AMS1, and  $\sim$ AMS2 memory select pins are used for that purpose.

Table 1-1. EZ-KIT Lite Evaluation Board Memory Map

	Start Address	End Address	Content
External Memory	0x0000 0000	0x07FF FFFF	SDRAM bank 0 (SDRAM). See <a href="#">“SDRAM Interface” on page 1-8</a> .
	0x2000 0000	0x200F FFFF	ASYNC memory bank 0 (primary flash A). See <a href="#">“Flash Memory” on page 1-9</a> .
	0x2010 0000	0x201F FFFF	ASYNC memory bank 1 (primary flash B). See <a href="#">“Flash Memory” on page 1-9</a> .
	0x2020 0000	0x202F FFFF	ASYNC memory bank 2 (flash A and B secondary memory, SRAM and internal registers). See <a href="#">“Flash Memory” on page 1-9</a> .
	All other locations		Not used

## SDRAM Interface

Table 1-1. EZ-KIT Lite Evaluation Board Memory Map (Cont'd)

	Start Address	End Address	Content
Internal Memory	0xFF80 0000	0xFF80 3FFF	Data bank A SRAM 16 KB
	0xFF80 4000	0xFF80 7FFF	Data bank A SRAM/CACHE 16 KB
	0xFF90 0000	0xFF90 3FFF	Data bank B SRAM 16 KB
	0xFF90 4000	0xFF90 7FFF	Data bank B SRAM/CACHE 16 KB
	0xFFA0 0000	0xFFA0 FFFF	Instruction SRAM 64 KB
	0xFFA1 0000	0xFFA1 3FFF	Instruction SRAM /CACHE 16 KB
	0xFFB0 0000	0xFFB0 0FFF	Scratch pad SRAM 4 KB
	0xFFC0 0000	0xFFDF FFFF	System MMRs 2 MB
	0xFFE0 0000	0xFFFF FFFF	Core MMRs 2 MB
		All other locations	

## SDRAM Interface

The three SDRAM control registers must be initialized in order to use the MT48LC32M16 – 64 MB (32M x 16 bits) SDRAM memory.

If you are in an EZ-KIT Lite or emulator session and a reset operation is performed, the SDRAM registers are set automatically to the values listed in [Table 1-2](#). To disable this feature, clear the **Use XML reset values** check box on the **Target Options** dialog box, which is accessible through the **Settings** pull-down menu. The values are derived for maximum flexibility and work for a system clock frequency between 54 MHz and 133 MHz. For more information about the Target Options dialog box, see the online Help.

Automatic configuration of SDRAM is not optimized for any SCLK frequency. [Table 1-2](#) shows the optimized configuration for the SDRAM registers using a 118.8 MHz, 126 MHz, and 133 MHz SCLK. The fre-

quency of 118.8 MHz is the maximum SCLK frequency when using a 594 MHz core frequency, the maximum frequency for the EZ-KIT Lite when using the internal voltage regulator. Only the EBIU\_SDRRC register needs to be modified in the user code to achieve maximum performance.

Table 1-2. SDRAM Optimum Settings

Register	SCLK = 133 MHz (Processor MAX)	SCLK = 126 MHz (CCLK = 756 MHz)	SCLK = 118.8 MHz (CCLK = 594 MHz)
EBIU_SDGCTL	0x0091 998D	0x0091 998D	0x0091 998D
EBIU_SDBCTL			
ADSP-BF533 EZ-KIT Lite revision 1.5 and below	0x0000 0013	0x0000 0013	0x0000 0013
ADSP-BF533 EZ-KIT Lite revision 1.6 and above	0x0000 0025	0x0000 0025	0x0000 0025
EBIU_SDRRC	0x0000 0406	0x0000 03CF	0x0000 0397

An example program is included in the EZ-KIT installation directory to demonstrate how to set up the SDRAM interface.

## Flash Memory

The following sections describe how to use the memory and general-purpose IO pins, as well as how to configure the flash memory devices.

The ADSP-BF533 EZ-KIT Lite board employs two PSD4256G6V flash general-purpose IO devices from STMicroelectronics. These devices not only have flash memory but also extra IO pins, which are memory mapped.

Example code is provided in the EZ-KIT installation directory to demonstrate how to program the flash memory as well as to demonstrate the functionality of the general-purpose IO pins.

# Flash Memory

## Flash Memory Map

Each device includes the following memory segments:

- 1M byte of primary flash memory
- 64K bytes of secondary flash memory
- 32 Kbytes of internal SRAM
- 256 Bytes of configuration registers (IO control)

Access to each segment can be 8-bit or 16-bit. The processor's  $\sim$ AMS0,  $\sim$ AMS1, and  $\sim$ AMS2 memory select pin are used for that purpose. Asynchronous memory bank 0 is always enabled after a hard reset, while banks 1 and 2 need to be enabled by software. [Table 1-3](#) provides an example on asynchronous memory configuration registers.

Table 1-3. Asynchronous Memory Control Registers Settings Example

Register	Value	Function
EBIU_AMBCTL0	0x7BB07BB0	Timing control for banks 1 and 0
EBIU_AMBCTL1 bits 15-0	0x7BB0	Timing control for bank 2 (bank 3 is not used)
EBIU_AMGCTL bits 3-0	0xF	Enable all banks

Each flash chip is initially configured with the memory sectors mapped into the processor's address space shown in [Table 1-4](#).

Table 1-4. Flash Memory Map

Start Address	End Address	Content
0x2000 0000	0x200F FFFF	Flash A primary (1MB)
0x2010 0000	0x201F FFFF	Flash B primary (1MB)
0x2020 0000	0x2020 FFFF	Flash A secondary (64KB)



Table 1-4. Flash Memory Map (Cont'd)

Start Address	End Address	Content
0x2024 0000	0x2024 7FFF	Flash A SRAM (32KB)
0x2027 0000	0x2027 00FF	Flash A registers (256 Bytes)
0x2028 0000	0x2028 FFFF	Flash B secondary (64KB)
0x202C 0000	0x202C 7FFF	Flash B SRAM (32KB)
0x202E 0000	0x202E 00FF	Flash B registers (256 Bytes)
All other locations		Reserved

## Flash General-Purpose IO

This section describes general-purpose IO signals that are controlled by means of setting appropriate registers of the flash A or flash B. These registers are mapped into the processor's address space, as shown in [Table 1-4](#).

Flash device IO pins are arranged as 8-bit ports labeled A through G. There is a set of 8-bit registers associated with each port. These registers are `Direction`, `Data In`, and `Data Out`. Note that the `Direction` and `Data Out` registers are cleared to all zeros at power-up or hardware reset.

The `Direction` register controls IO pins direction. When a bit is 0, a corresponding pin functions as an input. When the bit is 1, a corresponding pin is an output. This is a 8-bit read-write register.

The `Data In` register allows reading the status of port's pins. This is a 8-bit read-only register.

The `Data Out` register allows clearing an output pin to 0 or setting it to 1. This is a 8-bit read-write register.

## Flash Memory

The ADSP-BF533 EZ-KIT Lite board employs only flash A and flash B ports A and B. [Table 1-5](#) and [Table 1-6](#) provide configuration register addresses for flash A and flash B, respectively (only ports A and B are listed). The following bits connect to the expansion board connector.

- Flash A port B bits 7 and 6
- Flash B port A bits 7-0 and port B bits 7-0

Table 1-5. Flash A Configuration Registers for Ports A and B

Register Name	Port A Address	Port B Address
Data In (read-only)	0x2027 0000	0x2027 0001
Data Out (read-write)	0x2027 0004	0x2027 0005
Direction (read-write)	0x2027 0006	0x2027 0007

Table 1-6. Flash B Configuration Registers for Ports A and B

Register Name	Port A Address	Port B Address
Data In (read-only)	0x202E 0000	0x202E 0001
Data Out (read-write)	0x202E 0004	0x202E 0005
Direction (read-write)	0x202E 0006	0x202E 0007

[Table 1-7](#) and [Table 1-8](#) depict the IO assignments.

Table 1-7. Flash A Port A Controls

Bit Number	User IO	Bit Value
7	Not defined	Any
6	Not defined	Any
5	PPI clock select bit 1	00 = local OSC (27 MHz)
4	PPI clock select bit 0	01 = video decoder pixel clock 1X = expansion board PPI clock

Table 1-7. Flash A Port A Controls (Cont'd)

Bit Number	User IO	Bit Value
3	Video decoder reset	0= reset ON; 1= reset OFF
2	Video encoder reset	0= reset ON; 1= reset OFF
1	Reserved	Any
0	Codec reset	0= reset ON; 1= reset OFF

Table 1-8. Flash A Port B Controls

Bit Number	User IO	Bit Value
7	Not used	Any
6	Not used	Any
5	LED9	0= LED OFF; 1= LED ON
4	LED8	0= LED OFF; 1= LED ON
3	LED7	0= LED OFF; 1= LED ON
2	LED6	0= LED OFF; 1= LED ON
1	LED5	0= LED OFF; 1= LED ON
0	LED4	0= LED OFF; 1= LED ON

## Configuring Flash Memory

The flash memory is completely configurable. Use PSDsoft Express™ to modify the default settings of each flash memory. After the project has been modified, the flash memory must be re-programmed using FlashLINK™. The default project file is provided in `...\\Black-fin\\EZ-KITs\\ADSP-BF533\\PSDConfigFiles` directory. Analog Devices does not provide any support for setting up the PSD4256G6V with PSDsoft Express or programming it using FlashLINK. Email STMicroelectronics at `apps.psd@st.com` for technical assistance.

## LEDs and Push Buttons

The PSD4256G6V can be re-programmed using the FlashLINK JTAG programming cable available from STMicroelectronics ([www.st.com/psd](http://www.st.com/psd)) for approximately \$59. FlashLINK plugs into any PC parallel port. The PSDsoft Express development software is required to modify the DSM2150 configuration and to operate the FlashLINK cable. PSDsoft Express can be downloaded at no charge from [www.st.com/psd](http://www.st.com/psd).

## LEDs and Push Buttons

The EZ-KIT Lite provides four push buttons and six LEDs for general-purpose IO.

The six LEDs, labeled LED4 through LED9, are accessed via some of the general-purpose IO pins of the flash memory interface. For information on how to program the pins, see [“Flash General-Purpose IO” on page 1-11](#).

The four general-purpose push buttons are labeled SW4 through SW7. A status of each individual button can be read through programmable flag (PF) inputs, PF8 through PF11. A PF reads 1 when a corresponding switch is being pressed-on. When the switch is released, the PF reads 0. A connection between the push button and PF input is established through the SW9 DIP switch. See [“Push Button Enable Switch \(SW9\)” on page 2-11](#) for details.

An example program is included in the EZ-KIT installation directory to demonstrate the functionality of the LEDs and push buttons.

## Audio Interface

The AD1836 audio codec provides three channels of stereo audio output and two channels of multichannel 96 kHz input. The SPORT0 interface of the processor links with the stereo audio data input and output pins of the

AD1836 codec. The processor is capable of transferring data to the audio codec in time-division multiplexed (TDM) or two-wire interface (TWI) mode.

The TWI mode allows the codec to operate at a 96 kHz sample rate but limits the output channels to two. The TDM mode can operate at a maximum of 48 kHz sample rate but allows simultaneous use of all input and output channels. When using TWI mode, the  $TSCLK0$  and  $RSCLK0$  pins, as well as the  $TFS0$  and  $RFS0$  pins of the processor, must be tied together external to the processor. This is accomplished with the  $SW9$  DIP switch (see “Push Button Enable Switch (SW9)” on page 2-11 for more information).

The AD1836 audio codec’s internal configuration registers are configured using the SPI port of the processor. The processor’s  $PF4$  programmable flag pin is used as the select for this device. For information on how to configure the multichannel codec, go to [www.analog.com/UploadedFiles/Datasheets/344740003AD1836\\_prc.pdf](http://www.analog.com/UploadedFiles/Datasheets/344740003AD1836_prc.pdf).

The general-purpose IO pin  $PA0$  of flash A is a source for the AD1836 codec reset. See “Flash General-Purpose IO” on page 1-11 for more information about the pin.

Example programs are included in the EZ-KIT installation directory to demonstrate AD1836 codec capabilities.

# Video Interface

The board supports video input and output applications. The ADV7171 video encoder provides up to three output channels of analog video, while the ADV7183 video decoder provides up to three input channels of analog video. Both the encoder and the decoder connect to the parallel peripheral interface (PPI) of the processor. For additional information on the video interface hardware, refer to [“PPI Interface” on page 2-5](#).

For the video interface to be operational, the following basic steps must be performed.

1. Configure the SW3 DIP switch as required by the application. Refer to [“Video Configuration Switch \(SW3\)” on page 2-10](#) for details.
2. Remove reset to the video device. Refer to [“Flash General-Purpose IO” on page 1-11](#) for details.
3. If using the decoder:
  - ✓ Enable device by driving programmable flag output PF2 to 0.
  - ✓ Select PPI clock (see [Table 1-7 on page 1-12](#)).
4. Program internal registers of the video device in use. Both video encoder and decoder use a two-wire serial interface to access internal registers. A programmable flag PF0 functions as a serial clock (SCL), and PF1 functions as a serial data (SDAT).
5. Program the processor’s PPI interface (configuration registers, DMA, etc.).

Example programs are included in the EZ-KIT installation directory to demonstrate the capabilities of the video interface.

## Example Programs

Example programs are provided with the ADSP-BF533 EZ-KIT Lite to demonstrate various capabilities of the evaluation board. These programs are installed with the EZ-KIT Lite software and can be found in the `\...\Blackfin\Examples\ADSP-BF533 EZ-KIT Lite` subdirectory of the VisualDSP++ installation directory. Please refer to the readme file provided with each example for more information.

## Background Telemetry Channel

The ADSP-BF533 USB debug agent supports the background telemetry channel (BTC), which facilitates data exchange between VisualDSP++ and the processor without interrupting processor execution.

The BTC allows the user to view a variable as it is updated or changed, all while the processor continues to execute. For increased performance of the BTC, including faster reading and writing, please check out our latest line of processor emulators at <http://www.analog.com/processors/resources/crosscore/emulators/index.html>. For more information about the background telemetry channel, see the *VisualDSP++ User's Guide* or online Help.

## Background Telemetry Channel



# 2 ADSP-BF533 EZ-KIT LITE HARDWARE REFERENCE

This chapter describes the hardware design of the ADSP-BF533 EZ-KIT Lite board. The following topics are covered.

- [“System Architecture” on page 2-2](#)  
Describes the configuration of the ADSP-BF533 EZ-KIT Lite board and explains how the board components interface with the processor.
- [“Jumper and Switch Settings” on page 2-9](#)  
Shows the location and describes the function of the configuration jumpers and switches.
- [“LEDs and Push Buttons” on page 2-12](#)  
Shows the location and describes the function of the LEDs and push buttons.
- [“Connectors” on page 2-16](#)  
Shows the location and gives the part number for all of the connectors on the board. Also, the manufacturer and part number information is given for the mating parts.

## System Architecture

This section describes the processor's configuration on the EZ-KIT Lite board.

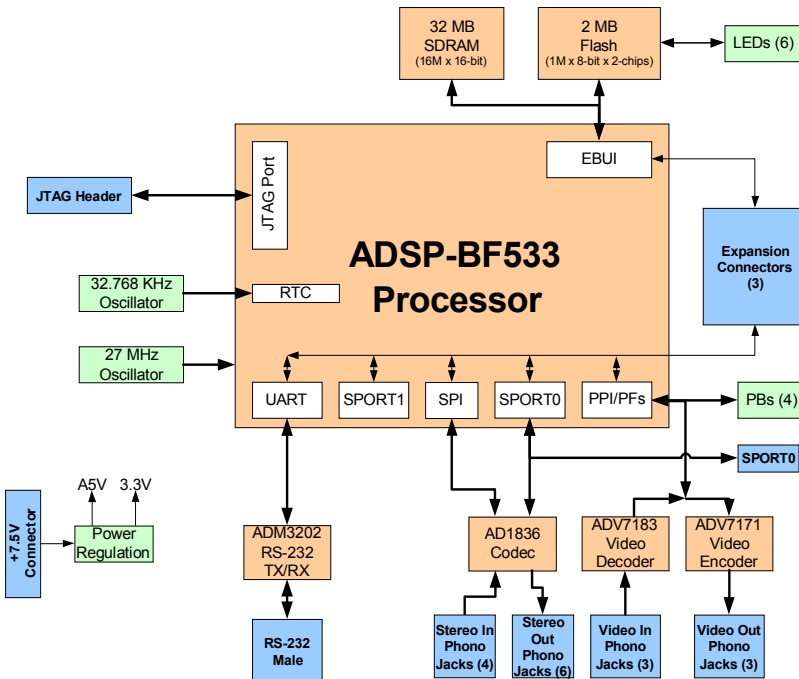


Figure 2-1. System Architecture

This EZ-KIT Lite has been designed to demonstrate the capabilities of the ADSP-BF533 Blackfin processor. The processor has an IO voltage of 3.3V. The core voltage is derived from this 3.3V supply and uses the internal regulator of the processor. The core voltage and the core clock rate can be set up on the fly by the processor. Refer to the *ADSP-BF533 Blackfin Processor Hardware Reference* for more information.

The default boot mode for the processor is flash boot. See [“Boot Mode Select Jumpers \(JP1 and JP2\)” on page 2-9](#) for information about changing the default.

### External Bus Interface Unit

The external bus interface unit (EBIU) connects an external memory to the ADSP-BF533 processor. The EBIU includes a 16-bit wide data bus, an address bus, and a control bus. Both 16-bit and 8-bit access are supported. On the EZ-KIT Lite, the EBI unit connects to SDRAM and flash memory.

64 MB (32M x 16 bits) of SDRAM connect to the synchronous memory select 0 ( $\sim$ SMS0) pin. Refer to [“SDRAM Interface” on page 1-8](#) for information about SDRAM configuration. Note that SDRAM's clock is the processor's clock out (CLK OUT), which frequency should not exceed 133 MHz.

Two flash memory devices connect to the asynchronous memory select signals,  $\sim$ AMS2 through  $\sim$ AMS0. The devices provide a total of 2 Mbytes of primary flash memory, 128 Kbytes of secondary flash memory, and 64 Kbytes of SRAM. The processor can use this memory for both booting and storing information during normal operation. Refer to [“Flash Memory” on page 1-9](#) for details.

All of the address, data, and control signals are available externally via the extender connectors (J1-3). The pinout of the connectors can be found in [“Connectors” on page B-10](#).

### SPORT0 Audio Interface

The SPORT0 interface connects to the AD1836 audio codec, the SPORT connector (P3), and the expansion interface. The AD1836 codec uses both the primary and secondary data transmit and receive pins to input and output data from the audio inputs and outputs.

## System Architecture

The pinout of the SPORT connector and the expansion interface connectors can be found in [“Connectors” on page B-10](#).

## SPI Interface

The serial peripheral interface (SPI) of the ADSP-BF533 processor connects to the AD1836 audio codec and the expansion interface. The SPI connection to the AD1836 is used to access the control registers of the device. The PF4 flag of the processor is used as the devices select for the SPI port.

## Programmable Flags

The processor has 15 programmable flag pins (PFs). The pins are multi-functional and depend on the processor setup. [Table 2-1](#) is a summary of the programmable flag pins used on the EZ-KIT Lite.

Table 2-1. Programmable Flag Connections

Processor PF Pin	Other Processor Function	EZ-KIT Lite Function
PF0		Serial clock for programming ADV7171 and ADV7183
PF1		Serial data for programming ADV7171 and ADV7183
PF2		ADV7183 $\sim$ OE signal
PF3	FS3	ADV7183 FIELD pin. See <a href="#">“Video Configuration Switch (SW3)” on page 2-10</a> .
PF4		AD1836 SPI select
PF5		
PF6		
PF7		

Table 2-1. Programmable Flag Connections (Cont'd)

Processor PF Pin	Other Processor Function	EZ-KIT Lite Function
PF8		Push button (SW4). See <a href="#">“LEDs and Push Buttons” on page 1-14</a> and <a href="#">“Push Button Enable Switch (SW9)” on page 2-11</a> for information on how to disable the push button.
PF9		Push button (SW5). See <a href="#">“LEDs and Push Buttons” on page 1-14</a> and <a href="#">“Push Button Enable Switch (SW9)” on page 2-11</a> for information on how to disable the push button.
PF10		Push button (SW6). See <a href="#">“LEDs and Push Buttons” on page 1-14</a> and <a href="#">“Push Button Enable Switch (SW9)” on page 2-11</a> for information on how to disable the push button.
PF11		Push button (SW7). See <a href="#">“LEDs and Push Buttons” on page 1-14</a> and <a href="#">“Push Button Enable Switch (SW9)” on page 2-11</a> for information on how to disable the push button.
PF12	PPI7	ADV7171 and ADV7183 data (MSB)
PF13	PPI6	ADV7171 and ADV7183 data
PF14	PPI5	ADV7171 and ADV7183 data
PF15	PPI4	ADV7171 and ADV7183 data

## PPI Interface

The parallel peripheral interface (PPI) of the ADSP-BF533 processor is a half-duplex, bi-directional port that can accommodate up to 16 bits of data. The interface has a dedicated input clock (27 MHz), three multiplexed frame sync signals, and four bits of dedicated data. The remaining data bits come from the re-configured programmable flag pins. For information about the PFs multiplexed with the PPI pins, see [“Programmable Flags” on page 2-4](#). For information about the processor’s PPI interface, refer to the *ADSP-BF533 Blackfin Processor Hardware Reference*.

## System Architecture

Table 2-2 is a summary the PPI pins used on the EZ-KIT Lite.

Table 2-2. PPI Connections

Processor PPI Pin	Other Processor Function	EZ-KIT Lite Function
PPI7	PF12	ADV7171 and ADV7183 data (MSB)
PPI6	PF13	ADV7171 and ADV7183 data
PPI5	PF14	ADV7171 and ADV7183 data
PPI4	PF15	ADV7171 and ADV7183 data
PPI3		ADV7171 and ADV7183 data
PPI2		ADV7171 and ADV7183 data
PPI1		ADV7171 and ADV7183 data
PPI0		ADV7171 and ADV7183 data
PF3	FS3	ADV7183 FIELD pin. For more information, see <a href="#">“Video Configuration Switch (SW3)”</a> on page 2-10.
TMR1	PPI_HSYNC	ADV7171 and ADV7183 HSYNC. For more information, see <a href="#">“Video Configuration Switch (SW3)”</a> on page 2-10.
TMR2	PPI_FSYNC	ADV7171 and ADV7183 VSYNC. For more information, see <a href="#">“Video Configuration Switch (SW3)”</a> on page 2-10.
PPI_CLK		Input from either the ADV7183 output clock or the same 27 MHz oscillator driving the processor. For more information, see <a href="#">“Video Interface”</a> on page 1-16.

The ADSP-BF533 EZ-KIT Lite board employs 8-bit PPI interface for video output and video input.

## Video Output Mode

In the video output mode, the PPI interface is configured as output and connects to the on-board video encoder device, ADV7171. The ADV7171 encoder generates three analog video channels on DAC B, DAC C, and DAC D outputs. The PPI data connects to P7-0 of the encoder's pixel inputs. The encoder's PPI input clock runs at 27 MHz, in phase with CLK IN of the processor.

The encoder's synchronization signals, HSYNC and VSYNC, can be configured as inputs or outputs. Video blanking control signal is at level 1. The HSYNC and VSYNC signals can connect the multiplexed sync pins of the processor and the on-board ADV7183 video decoder via the SW3 switch, as described in [“Video Configuration Switch \(SW3\)” on page 2-10](#).

## Video Input Mode

In the video input mode, the PPI interface is configured as input and connects to the on-board video decoder device, ADV7183. The ADV7183 decoder receives three analog video channels on AIN1, AIN4, and AIN5 input. The decoder's pixel data outputs P15-8 drive the PPI data (PPI3-0 and PF15-12). The decoder's 27 MHz pixel clock output can be selected to drive PPI clock, as shown in [Table 1-7 on page 1-12](#).

Synchronization outputs of the decoder, HS/HACTIVE, VS/VACTIVE, and FIELD, can connect the multiplexed sync pins of the ADSP-BF533 processor and the ADV7171 on-board video encoder via the SW3 DIP switch, as described in [“Video Configuration Switch \(SW3\)” on page 2-10](#).

## UART Port

The universal asynchronous receiver/transmitter (UART) port of the processor connects to the ADM3202 RS-232 line driver, as well as to the expansion interface. The RS-232 line driver connects to the DB9 male connector, providing an interface to a personal computer and other serial devices.


### Expansion Interface

The expansion interface consists of three 90-pin connectors. [Table 2-3 on page 2-8](#) shows the interfaces each connector provides. For the exact pinout of the connectors, refer to [“Connectors” on page B-10](#). The mechanical dimensions of the connectors can be found [on page 2-16](#).

Table 2-3. Expansion Connector Interfaces

Connector	Interfaces
J1	5V, GND, address, data, PPI
J2	3.3V, GND, SPI, NMI, TMR2-0, SPORT0, SPORT1, PF15-0, EBUI control signals
J3	5V, 3.3V, GND, UART, flash IO, reset, video control signals

Limits to the current and to the interface speed must be taken into consideration when using the expansion interface. The maximum current limit is dependent on the capabilities of the used regulator. Additional circuitry can also add extra loading to signals, decreasing their maximum effective speed.

 Analog Devices does not support and is not responsible for the effects of additional circuitry.

### JTAG Emulation Port

The JTAG emulation port allows an emulator to access the processor’s internal and external memory through a 6-pin interface. The JTAG emulation port of the processor also connects to the USB debugging interface. When an emulator connects to the board at P4, the USB debugging interface is disabled. See [“JTAG \(P4\)” on page 2-20](#) for more information about the JTAG connector.

To learn more about available emulators, contact Analog Devices (see [“Product Information”](#)).



## Jumper and Switch Settings

This section describes the operation of the jumpers and DIP switches. The jumper and switch locations are shown in [Figure 2-2](#).

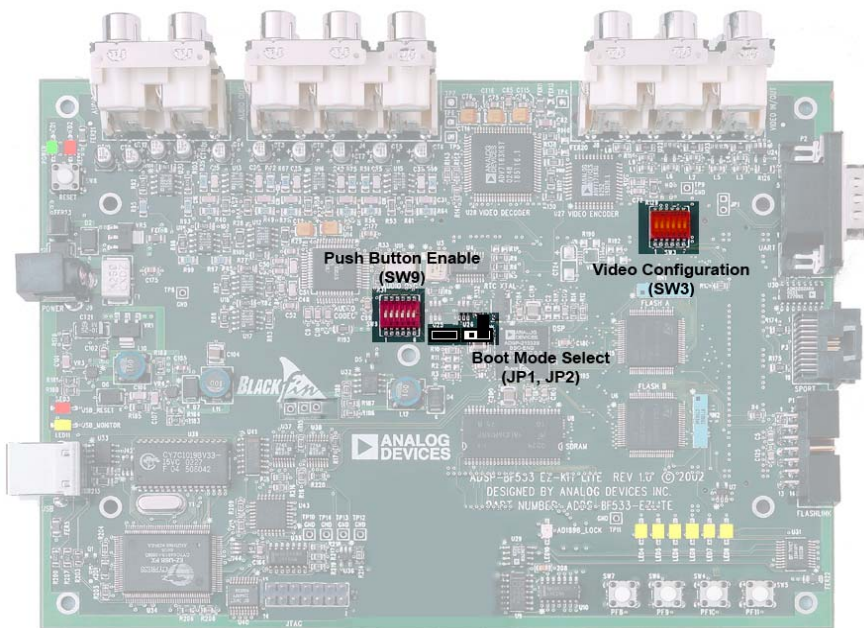


Figure 2-2. Jumper and Switch Locations

### Boot Mode Select Jumpers (JP1 and JP2)

The JP1 and JP2 jumpers determine the boot mode of the processor. [Table 2-4](#) shows the available boot mode settings. By default, the processor boots from the on-board flash memory.

## Jumper and Switch Settings

Table 2-4. Boot Mode Settings

JP1 (BMODE1)	JP2 (BMODE0)	Boot Mode
Installed	Installed	16-bit external memory
Installed <sup>1</sup>	Not installed	Flash memory
Not installed	Installed	Reserved
Not installed	Not installed	SPI EEPROM

<sup>1</sup> Default settings

## Test DIP Switches (SW1 and SW2)

Two DIP switches (SW1 and SW2) are located on the bottom of the board. The switches are used only for testing and should be in the OFF position.

## Video Configuration Switch (SW3)

The video configuration switch (SW3) controls how some video signals from the ADV7183 video decoder and ADV7171 video encoder are routed to the processor's PPI. The switch also determines if the PF2 pin controls the  $\sim$ OE signal of the ADV7183 video decoder outputs. [Table 2-5](#) shows which processor's signals connect to the encoder and decoder in the default (ON) position.

Table 2-5. Video Configuration Switch (SW3)

Switch Position (Default)	Processor Signal	Video Signal
1 (OFF)	TMR1 (HSYNC)	HSYNC (ADV7171)
2 (OFF)	TMR1 (HSYNC)	HS (ADV7183)
3 (OFF)	TMR2 (VSYNC)	VS (ADV7183)
4 (OFF)	TMR2 (VSYNC)	VSYNC (ADV7171)

Table 2-5. Video Configuration Switch (SW3) (Cont'd)

Switch Position (Default)	Processor Signal	Video Signal
5 (OFF)	PF3 (FIELD)	FIELD (ADV7183)
6 (ON)	PF2	~0E (ADV7183)

Positions 1 through 5 of SW3 determine how and if the VSYNC, HSYNC, and FIELD control signals are routed to the processor's PPI. In standard configuration of the encoder and decoder, this is not necessary because the processor is capable of reading the control information embedded in the data stream.

Position 6 of SW3 determines whether PF2 connects to the ~0E signal of the ADV7183. When the switch is OFF, PF2 can be used for other operations, and the decoder output enable is held high with a pull-up resistor.

## Push Button Enable Switch (SW9)

The push button enable (SW9) switch positions 1 through 4 allow the user to disconnect the drivers associated with the push buttons from the PF pins of the processor. Positions 5 and 6 are used to connect the transmit and receive frame syncs and clocks of SPORT0. This is important when the AD1836 video decoder and the processor are communicating in I<sup>2</sup>S mode. [Table 2-6](#) shows which PF is driven when the switch is in the default (ON) position.

Table 2-6. Push Button Enable Switch (SW9)

Switch Position	Default Setting	Pin #	Signal (Side 1)	Pin #	Signal (Side 2)
1	ON	1	SW4	12	PF8
2	ON	2	SW5	11	PF9
3	ON	3	SW6	10	PF10
4	ON	4	SW7	9	PF11

# LEDs and Push Buttons

Table 2-6. Push Button Enable Switch (SW9) (Cont'd)

Switch Position	Default Setting	Pin #	Signal (Side 1)	Pin #	Signal (Side 2)
5	OFF	5	TFS0	8	RFS0
6	OFF	6	RSCLK0	7	TSCLK0

# LEDs and Push Buttons

This section describes the functionality of the LEDs and push buttons. Figure 2-3 shows the locations of the LEDs and push buttons.

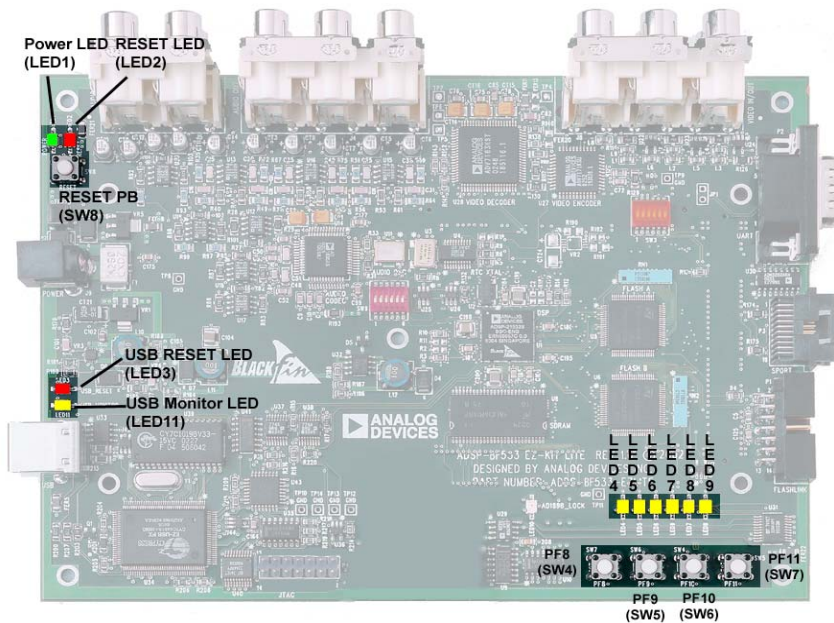


Figure 2-3. LED and Push Button Locations

## Programmable Flag Push Buttons (SW4–7)

Four push buttons, SW4–7, are provided for general-purpose user input. The buttons connect to the processor’s programmable flag pins PF8–11. The push buttons are active high and, when pressed, send a high (1) to the processor. Refer to [“LEDs and Push Buttons” on page 1-14](#) for information on PFs programming. The push button enable switch (SW9) is capable of disconnecting the push buttons from the PFs (refer to [“Push Button Enable Switch \(SW9\)” on page 2-11](#) for more information). The programmable flag pins and their corresponding push buttons are shown in [Table 2-7](#).

Table 2-7. Programmable Flag Switches

Processor Programmable Flag Pin	Push Button Reference Designator
PF8	SW4
PF9	SW5
PF10	SW6
PF11	SW7

## Reset Push Button (SW8)

The RESET push button resets all of the ICs on the board. One exception is the USB interface chip (U34). The chip is not being reset when the push button is pressed after the USB cable has been plugged in, and communication has been correctly initialized with the PC. After USB communication has been initialized, the only way to reset the USB is by powering down the board.

## Power LED (LED1)

When LED1 is lit (green), it indicates that power is being supplied to the board properly.

## LEDs and Push Buttons

### Reset LEDs (LED2 and LED3)

When LED2 is lit, it indicates that the master reset of all the major ICs is active. When LED3 is lit, the USB interface chip (U34) is being reset. The USB chips reset on power-up or if USB communication is not initialized.

### User LEDs (LED4–9)

Six LEDs connect to six general-purpose IO pins of the flash memory (U5). The LEDs are active high and are lit by writing a 1 to the correct memory address in the flash memory. Refer to [“LEDs and Push Buttons” on page 1-14](#) for information on how to use the flash when programming the LEDs.

Table 2-8. User LEDs

LED Reference Designator	Flash Port Name
LED4	PB0
LED5	PB1
LED6	PB2
LED7	PB3
LED8	PB4
LED9	PB5

## USB Monitor LED (LED11)

The USB monitor LED (LED11) indicates that USB communication has been initialized successfully and you can connect to the processor using a VisualDSP++ EZ-KIT Lite session. This should take approximately 15 seconds. If the LED does not light, try cycling power on the board and/or reinstalling the USB driver.



When VisualDSP++ is actively communicating with the EZ-KIT Lite target board, the LED can flicker, indicating communications handshake.

# Connectors

This section describes the connector functionality and provides information about mating connectors. The connector locations are shown in [Figure 2-4](#).

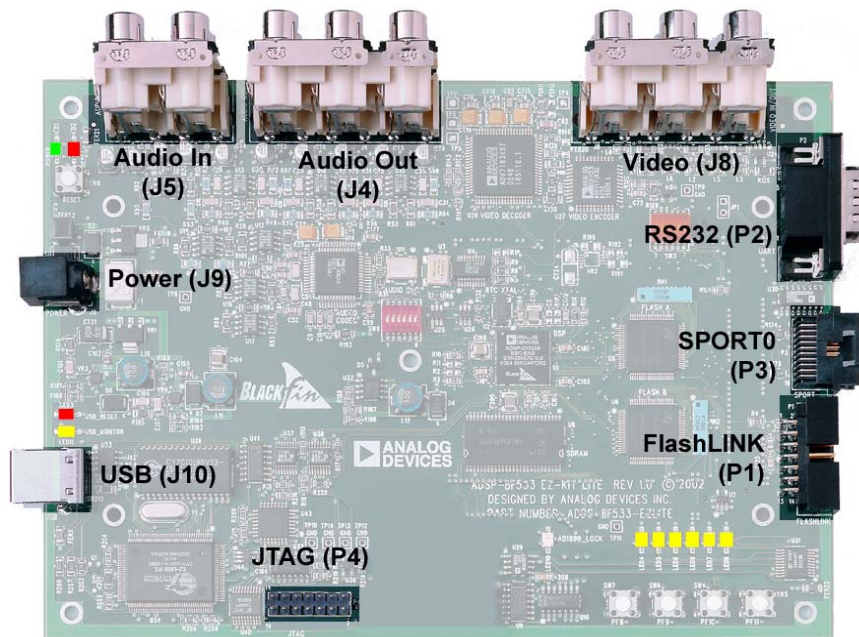


Figure 2-4. Connector Locations

## Expansion Interface (J1–3)

Three board-to-board connector footprints provide signals for most of the processor’s peripheral interfaces. The connectors are located at the bottom of the board. For more information about the expansion interface, see [“Expansion Interface”](#) on page 2-8. For the availability and pricing of the J1, J2, and J3 connectors, contact Samtec.



## ADSP-BF533 EZ-KIT Lite Hardware Reference

Part Description	Manufacturer	Part Number
90-position 0.05" spacing, SMT (J1, J2, J3)	Samtec	SFC-145-T2-F-D-A
<b>Mating Connector</b>		
90-position 0.05" spacing (through hole)	Samtec	TFM-145-x1 series
90-position 0.05" spacing (surface mount)	Samtec	TFM-145-x2 series
90-position 0.05" spacing (low cost)	Samtec	TFC-145 series

### Audio (J4 and J5)

Part Description	Manufacturer	Part Number
2x2 RCA jacks (J5)	SWITCHCRAFT	PJRS2X2S01
3x2 RCA jacks (J4)	SWITCHCRAFT	PJRS3X2S01
<b>Mating Connector</b>		
Two channel RCA interconnect cable	Monster Cable	BI100-1M

### Video (J8)

Part Description	Manufacturer	Part Number
3x2 RCA jacks (J8)	SWITCHCRAFT	PJRS3X2S01

### Power (J9)

The power connector provides all of the power necessary to operate the EZ-KIT Lite board. The following table shows the power connector pinout.

## Connectors

Part Description	Manufacturer	Part Number
2.5 mm power jack (J9)	SWITCHCRAFT	RAPC712
	Digi-Key	SC1152-ND
<b>Mating Power Supply</b> (shipped with EZ-KIT Lite)		
7.5V power supply	GlobTek	TR9CC2000LCP-Y

The power connector supplies DC power to the EZ-KIT Lite board. [Table 2-9](#) shows the power supply specifications.

Table 2-9. Power Supply Specifications

Terminal	Connection
Center pin	+7.5 VDC@2amps
Outer ring	GND

## FlashLINK (P1)

The FlashLINK connector allows you to configure and program the STMicroelectronics DSM2150 flash/PLD chip. See [“Configuring Flash Memory” on page 1-13](#) for more information about the FlashLINK connector.

Part Description	Manufacturer	Part Number
Right-angle 7X2 shrouded 0.1” spacing (P1)	TYCO	2-767004-2
<b>Mating Assembly</b>		
FlashLINK JTAG programmer	ST Micro	FL-101B

## RS-232 (P2)

The RS-232 compatible connector is described in [Table 2-10](#).

Table 2-10. RS-232 Connector

Part Description	Manufacturer	Part Number
DB9, male, right angle (P2)	Digi-Key	A2096-ND
<b>Mating Assembly</b>		
2m female-to-female cable	Digi-Key	AE1016-ND

## SPORT0 (P3)



The SPORT0 connector is linked to a 20-pin connector. The connector's pinout can be found in ["Connectors" on page B-10](#). For the flash (U5) connector pricing and availability, contact AMP.

Part Description	Manufacturer	Part Number
20-position AMPMODU system 50 receptacle (P3)	AMP	104069-1
<b>Mating Connectors</b>		
20-position ribbon cable connector	AMP	111196-4
20-position AMPMODU system 20 connector	AMP	2-487937-0
20-position AMPMODU system 20 connector (w/o lock)	AMP	2-487938-0
Flexible film contacts (20 per connector)	AMP	487547-1

## Connectors

### JTAG (P4)

The JTAG header is the connecting point for a JTAG in-circuit emulator pod. When an emulator connects to the JTAG header, the USB debug interface is disabled.

-  Pin 3 is missing to provide keying. Pin 3 in the mating connector should have a plug.
-  When using an emulator with the EZ-KIT Lite board, follow the connection instructions provided with the emulator.

# A ADSP-BF533 EZ-KIT LITE BILL OF MATERIALS

The bill of materials corresponds to “[ADSP-BF533 EZ-KIT Lite Schematic](#)” on page B-1. Please check the latest schematic on the Analog Devices Web site:

<http://www.analog.com/Processors/Processors/DevelopmentTools/technicalLibrary/manuals/DevToolsIndex.html#Evaluation%20Kit%20Manuals>.

Ref.	#	Description	Reference Designator	Manufacturer	Part Number
1	2	74LVC14A SOIC14 HEX-INVER-SCHMITT-TRIGGER	U10,U41	TI	74LVC14AD
2	1	IDT74FCT3244APY SSOP20 3.3V-OCTAL-BUFFER	U31	IDT	IDT74FCT3244APY
3	1	IDT74FCT3807AQ QSOP20 3.3V 1-10 CLOCK DRIVER	U4	IDT	IDT74FCT3807AQ
4	1	CY7C64603-128 PQFP128 USB-TX/RX MICROCONTROLLER	U34	CYPRESS	CY7C64603-128NC
5	1	MMBT4401 SOT-23 NPN TRANSISTOR 200MA	Q1	FAIRCHILD	MMBT4401
6	1	74LVC00AD SOIC14	U9	PHILIPS	74LVC00AD
7	1	CY7C1019BV33-15VC SOJ32 128K X 8 SRAM	U39	CYPRESS	CY7C1019BV33-12VC
8	1	SN74AHC1G02 SOT23-5 SINGLE-2 INPUT-NOR	U44	TI	SN74AHC1G02DBVR
9	1	SN74LV164A SOIC14 8-BIT-PARALLEL-SERIAL	U35	TI	SN74LV164AD
10	1	CY7C4201V-15AC TQFP3264-BYTE-FIFO	U43	CYPRESS	CY7C4201V-15AC
11	1	12.0MHZ THR OSC006 CRYSTAL	Y1	DIG01	300-6027-ND
12	1	SN74AHC1G00 SOT23-5 SINGLE-2-INPUT-NAND	U42	TI	SN74AHC1G00DBVR
13	1	12.288MHZ SMT OSC003	U11	DIG01	SG-8002CA-PCC-ND

Ref.	#	Description	Reference Designator	Manufacturer	Part Number
14	1	SN74LVC1G125 SOT23-5 SINGLE-3STATE-BUFFER	U7	TI	SN74LVC1G125DBVR
15	1	FDS9431A PMOSFET	U32	FAIRCHILD SEMI	FDS9431A
16	1	MT48LC32M16A2TG-75 TSOP54 512MB -SDRAM	U8	MICRON	MT48LC16M16A2TG-75
17	1	27MHZ SMT OSC003	U3	EPSON	SG-8002CA MP
18	1	32.768KHZ SMT OSC008	U2	EPSON	MC-156 32.768KA-A2
19	2	PSD4256G6V-10UI TSOP54 1MB-FLASH/GPIO	U5-6	ST MICRO	PSD4256G6V-10UI
20	1	IDT2305-1DC SOIC8 1 TO 5 ZERO DELAY CLK BUF	U46	INTEGRATED SYS	ICS9112AM-16
21	1	SN74LVC1G32 SOT23-5 SINGLE-2 INPUT OR GATE	U21	TI	SN74LVC1G32DBVR
22	1	BF533 24LC00-SN "U33" SEE 1000127	U33	ANALOG DEVICES	
23	2	1000pF 50V 5% 1206 CERM	C96-97	AVX	12065A102JAT2A
24	6	2200pF 50V 5% 1206 NPO	C12,C17,C22, C27,C32,C37	AVX	12065A222JAT050
25	1	ADM708SAR SOIC8 VOLTAGE-SUPERVISOR	U29	ANALOG DEVICES	ADM708SAR
26	1	ADP3338AKC-33 SOT-223 3.3V-1.0AMP REGULATOR	VR1	ANALOG DEVICES	ADP3338AKC-3.3

Ref.	#	Description	Reference Designator	Manufacturer	Part Number
27	1	ADP3339AKC-5 SOT-223 5V-1.5A REGULATOR	VR5	ANALOG DEVICES	ADP3339AKC-5-REEL
28	2	ADP3339AKC-33 SOT-223 3.3V 1.5A REGULATOR	VR3-4	ANALOG DEVICES	ADP3339AKC-3.3-RL
29	1	ADP3336ARM MSOP8 ADJ 500MA REGULATOR	VR6	ANALOG DEVICES	ADP3336ARM-REEL
30	1	ADV7171KSU TQFP44 VID-ENCODER	U27	ANALOG DEVICES	ADV7171KSU
31	1	10MA AD1580BRT SOT23D 1.2V-SHUNT-REF	D1	ANALOG DEVICES	AD1580BRT
32	2	ADG752BRT SOT23-6 CMOS-SPDT-SWITCH	U25-26	ANALOG DEVICES	ADG752BRT
33	3	AD8061ART SOT23-5 300MHZ-AMP	U22-24	ANALOG DEVICES	AD8061ART-REEL
34	1	ADM3202ARN SOIC16 RS232-TXRX	U30	ANALOG DEVICES	ADM3202ARN
35	1	ADV7183KST LQFP80 VID-DECODER	U28	ANALOG DEVICES	ADV7183KST
36	8	AD8606AR SOIC8 OPAMP	U12-13,U15-20	ANALOG DEVICES	AD8606AR
37	1	ADSP-BF533SKBC MINIBGA160	U1	ANALOG DEVICES	
38	1	AD1836AAS MQFP52 MULTI-CHAN- NEL-96KHZ-CODEC	U14	ANALOG DEVICES	AD1836AAS



Ref.	#	Description	Reference Designator	Manufacturer	Part Number
39	5	RUBBER FEET BLACK	MH1-5	MOUSER	517-SJ-5018BK
40	1	PWR 2.5MM_JACK CON005 RA	J9	SWITCHCRAFT	SC1152-ND12
41	1	USB 4PIN CON009 USB	J10	MILL-MAX	897-30-004-90-000000
42	1	RCA 2X2 CON013	J5	SWITCHCRAFT	PJRAS2X2S01
43	1	.05 10X2 CON014 RA	P3	AMP	104069-1
44	5	SPST-MOMENTARY SWT013 6MM	SW4-8	PANASONIC	EVQ-PAD04M
45	1	IDC 7X2 IDC7X2SRDRA RIGHT ANGLE SHROUDED	P1	MOLEX	70247-1401
46	3	0.05 45X2 CON019 SMT SOCKET	J1-3	SAMTEC	SFC-145-T2-F-D-A
47	4	DIP6 SWT017	SW1-3,SW9	DIG01	CKN1364-ND
48	2	RCA 3X2 CON024 RA	J4,J8	SWITCHCRAFT	PJRAS3X2S01
49	14	0.00 1/8W 5% 1206	R27-30,R148, R157-158,R167, R174-175, R177-178, R182,R193	YAGEO	0.0ECT-ND
50	7	AMBER-SMT LED001 GULL-WING	LED4-9, LED11	PANASONIC	LN1461C-TR

Ref.	#	Description	Reference Designator	Manufacturer	Part Number
51	12	330pF 50V 5% 805 NPO	C13,C18,C23, C28,C33,C38	AVX	08055A331JAT
52	42	0.01uF 100V 10% 805 CERM	C4,C85,C87, C108,C112-113, C123-124, C126-128, C136,C146-147, C149-155, C159-161	AVX	08051C103KAT2A
53	8	0.22uF 25V 10% 805 CERM	C129-130, C137-142	AVX	08053C224FAT
54	73	0.1uF 50V 10% 805 CERM	C6,C8,C71-72, C75-81,C84, C86,C88-95, C98-101,C105, C109-111, C114-122,C125, C131	AVX	08055C104KAT
55	8	0.001uF 50V 5% 805 NPO	C7,C9-11, C49-50,C52-53	AVX	08055A102JAT2A
56	8	10uF 16V 10% C TANT	CT13, CT21-27	SPRAGUE	293D106X9016C2T
57	45	10K 100MW 5% 805	R1, R4, R10, R12-13,R15-16	AVX	CR21-103J-T
58	9	33 100MW 5% 805	R5-6, R8-9,R31, R144,R179,R183	AVX	CR21-330JTR
59	2	4.7K 100MW 5% 805	R17,R220	AVX	CR21-4701F-T

Ref.	#	Description	Reference Designator	Manufacturer	Part Number
60	1	1M 100MW 5% 805	R202	AVX	CR21-1004F-T
61	1	1.5K 100MW 5% 805	R203	AVX	CR21-1501F-T
62	1	1.2K 1/8W 5% 1206	R129	DALE	CRCW1206-122JRT1
63	6	49.9K 1/8W 1% 1206	R38,R45,R54, R62,R70,R78	AVX	CR32-4992F-T
64	2	2.21K 1/8W 1% 1206	R212-213	AVX	CR32-2211F-T
65	1	2000pF 50V 5% 1206 CERM	C83	AVX	12065A202JAT2A
66	12	100pF 100V 5% 1206 NPO	C15,C20,C25, C30,C35,C40,	AVX	12061A101JAT2A
67	5	10uF 16V 10% B TANT	CT1-2,CT14-16	AVX	TAJB106K016R
68	4	100 100MW 5% 805	R149,R152, R154-155	AVX	CR21-101J-T
69	6	220pf 50V 10% 1206 NPO	C16,C21,C26, C31,C36,C41	AVX	12061A221JAT2A
70	4	600 100MHZ 200MA 603 0.50 BEAD	FER14-17	MURATA	BLM11A601SPT
71	3	2A S2A_RECT DO-214AA SILICON RECTIFIER	D2-4	GENERALSEMI	S2A
72	12	600 100MHZ 500MA 1206 0.70 BEAD	FER1-5, FER9-11, FER18-19, FER18-19, FER21-22	DIGI-KEY	240-1019-1-ND

Ref.	#	Description	Reference Designator	Manufacturer	Part Number
73	4	237 1/8W 1% 1206	R93,R95,R97, R99	AVX	CR32-2370F-T
74	4	750K 1/8W 1% 1206	R86,R90,R94, R96	DALE/VISHAY	CRCW12067503FRT1
75	16	5.76K 1/8W 1% 1206	R82-85,R87-89, R91-92,R98	PHYCOMP	9C12063A5761FKHFT
76	6	11.0K 1/8W 1% 1206	R34,R48,R50, R58,R66,R74	DALE	CRCW12061102FRT1
77	8	120PF 50V 5% 1206 NPO	C42-45,C55, C57-59	PHILLIPS	1206CG121J9B200
78	1	68PF 50V 5% 1206	C82	PHILLIPS	1206CG680J9B200
79	1	1UF 16V 10% 805 X7R	C5	MURATA	GRM40X7R105K016AL
80	12	75 1/8W 5% 1206	R113-114, R116-117, R120-121	PHILIPS	9C12063A75R0JLHFT
81	2	30PF 100V 5% 1206	C206-207	AVX	12061A300JAT2A
82	1	68UF 6.3V 20% D TANT	CT28	PANASONIC	ECS-TOJD686R
83	6	680PF 50V 1% 805 NPO	C14,C19,C24, C29,C34,C39	AVX	08055A681FAT2A
84	3	10UF 25V +80-20% 1210 Y5V	C198-200	MURATA	GRM235Y.5V106Z025

Ref.	#	Description	Reference Designator	Manufacturer	Part Number
85	6	2.74K 1/8W 1% 1206	R41,R47,R57, R65,R73,R81	PANASONIC	ERJ-8ENF2741V
86	12	5.49K 1/8W 1% 1206	R35,R40,R42, R49,R51,R56, R59	PANASONIC	ERJ-8ENF5491V
87	6	3.32K 1/8W 1% 1206	R36,R43,R52, R60,R68,R76	DALE	CRCW12063321FRT1
88	6	1.65K 1/8W 1% 1206	R37,R44,R53, R61,R69,R77	PANASONIC	ERJ-8ENF1651V
89	10	10UF 16V 20% CAP002 ELEC	CT3-12	DIG01	PCE3062TR-ND
90	1	53.6K 1/10W 1% 805	R184	PHILIPS	9C08052A5362FKRT/R
91	1	10UH 47 +/-20 IND001	L12	DIG01	445-1202-2-ND
92	2	10K 50MW 5% BGA36	RN1-2	CTS	RT130B7
93	15	0.00 100MW 5% 805	R3,R22,R24-25, R111,R132, R135-136,R141, R186-189, R210,R222	VISHAY	CRCW0805 0.0 RT1
94	1	190 100MHZ 5A FER002	FER23	MURATA	DLW5BSN191SQ2
95	1	3.32K 100MW 1% 805	C188	DIG01	P3.32KCCTR-ND
96	3	22 1/10W 5% 805	R14, R180-181	VISHAY/DALE	CRCW0805220JRT1
97	6	0.68UH 0.72 10% 805	L4-9	MURATA	LQG21NR68K10T1

Ref.	#	Description	Reference Designator	Manufacturer	Part Number
98	1	1A ZHCS1000 SOT23D SCHOTTKY	D5	ZETEX	ZHCS1000
99	1	5.6K 1/10W 5% 805	R140	VISHAY	CRCW0805562JRT1
100	3	2.2UH 0.63 10% 805	L1-3	MURATA	LQG21N2R2K10
101	3	1UF 10V 10% 805	C60-61,C104	AVX	0805ZC105KAT2A
102	2	18PF 50VDC 5% 805 CERM	C1, C3	PANASONIC	ECJ-2VC1H180J
103	1	10M 1/8W 5% 805	R20	AVX	CR21-106J-T
104	1	DB9 9PIN DB9M RIGHT ANGLE MALE	P2	3M	787203-2
105	7	1K 1/8W 5% 1206	R115,R118-119, R125-126,R131	AVX	CR32-102J-T
106	3	100K 1/8W 5% 1206	R112,R130,R176	CR1206-1003FRT 1	
107	2	22 1/8W 5% 1206	R200,R207	DALE	CRCW1206220JRT1
108	9	270 1/8W 5% 1206	R146-147, R160-162, R164-165,R168, R195	AVX	CR32-271J-T
109	1	680 1/8W 5% 1206	R163	AVX	CR32-681J-T
110	1	150 1/8W 1% 1206	R122	PANASONIC	ERJ-8ENF1500V
111	2	RED-SMT LED001 GULL-WING	LED2-3	PANASONIC	LN1261C

Ref.	#	Description	Reference Designator	Manufacturer	Part Number
112	1	GREEN-SMT LED001 GULL-WING	LED1	PANASONIC	LN1361C
113	6	604 1/8W 1% 1206	R39,R46,R55, R63,R71,R79	PANASONIC	ERJ-8ENF6040V
114	4	1uF 25V 20% A TANT -55+125	CT17-20	PANASONIC	ECS-T1EY105R
115	2	ADG774A QSOP16 QUICKSWITCH-257	U37-38	ANALOG DEVICES	ADG774ABRQ
116	1	IDC 7X2 IDC7X2 HEADER	P4	BERG	54102-T08-07
117	1	2.5A RESETABLE FUS001	F1	RAYCHEM CORP.	SMD250-2





A

B

C

D

1

1

2

2

3

3

# ADSP-BF533 EZ-KIT Lite

DNP = Do Not Populate



**ANALOG  
DEVICES**

20 Cotton Road  
Nashua, NH 03063  
PH: 1-800-ANALOGD

<b>Approvals</b>	<b>Date</b>	<b>Title</b> ADSP-BF533 EZ-KIT LITE - TITLE		
<b>Drawn</b>		<b>Size</b> C	<b>Board No.</b> A0167-2001	<b>Rev</b> 1.6C
<b>Checked</b>		<b>Date</b> 12-21-2004_15:13		<b>Sheet</b> 1 of 12
<b>Engineering</b>				

A

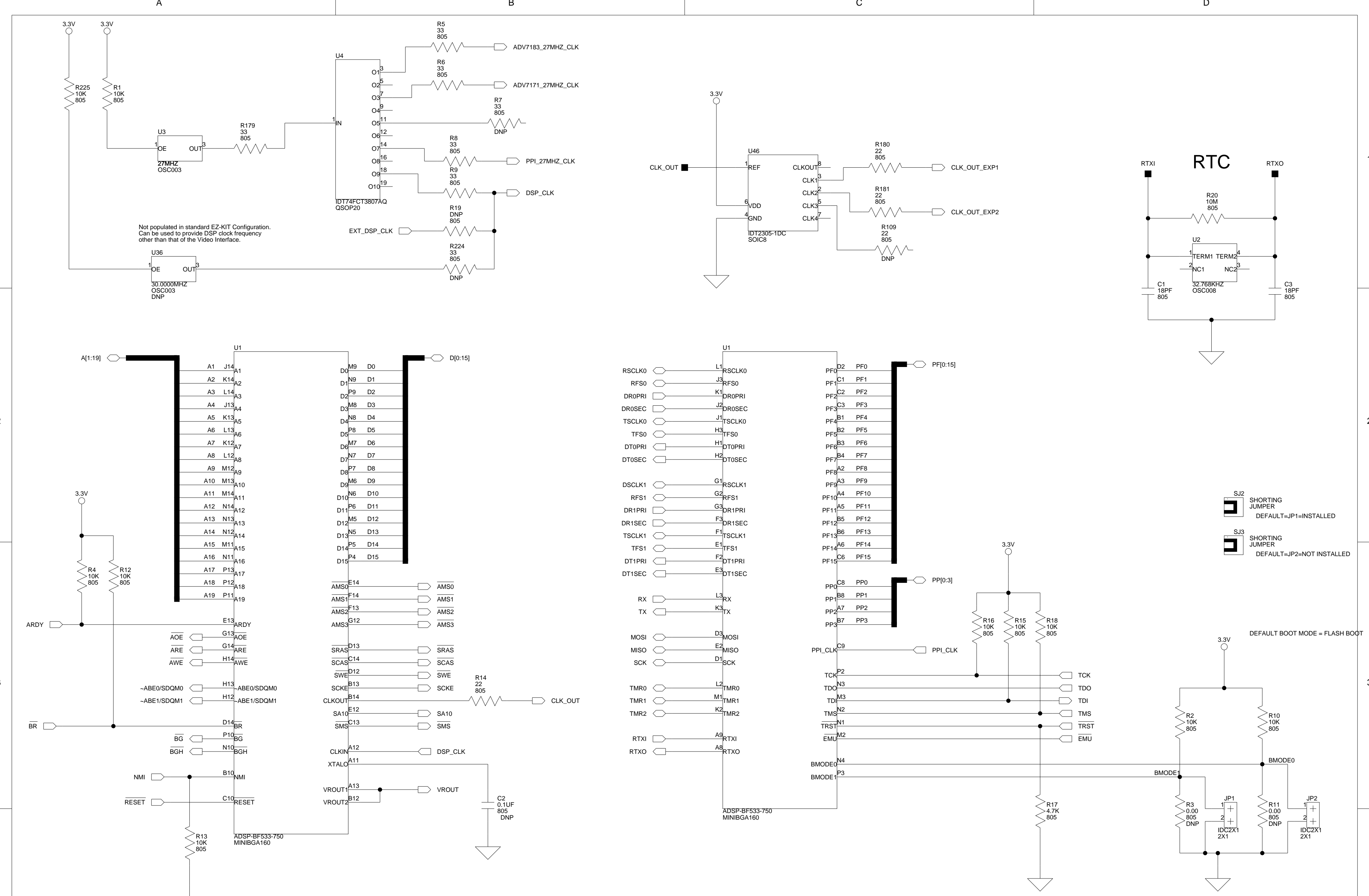
B

C

D

4

4



1

2

3

4

1

2

3

4

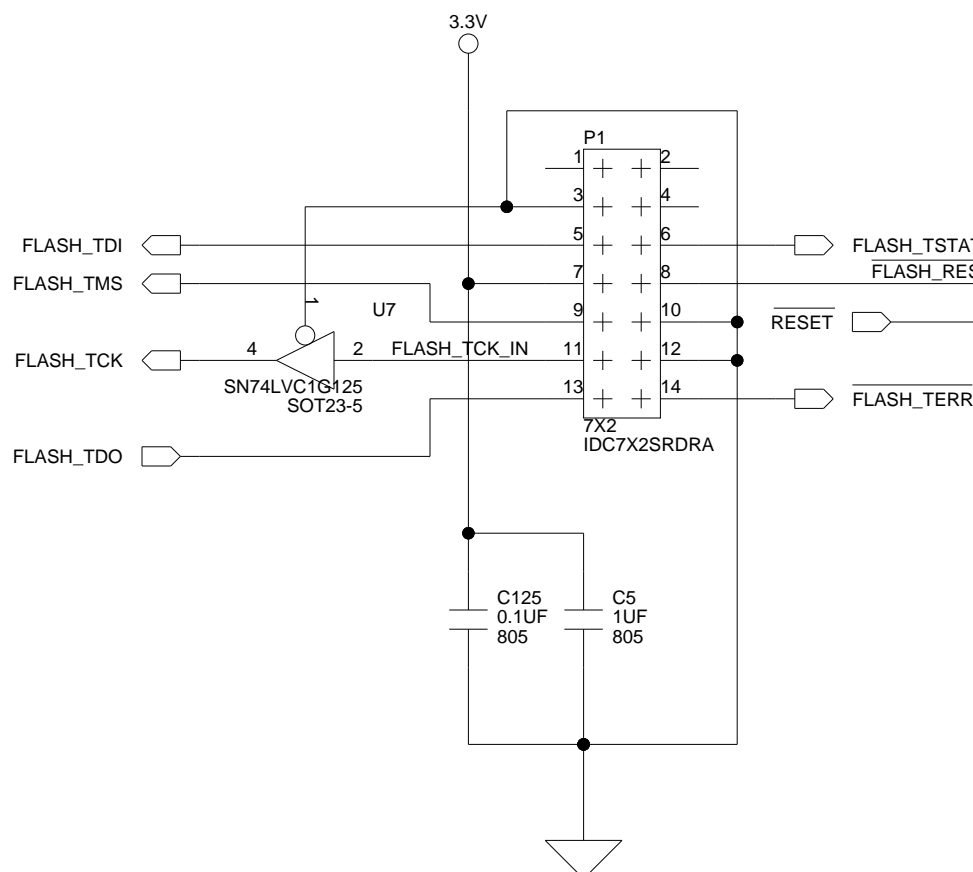
DNP = Do Not Populate

**ANALOG DEVICES**

20 Cotton Road  
Nashua, NH 03063  
PH: 1-800-ANALOGD

<b>Approvals</b>	<b>Date</b>	<b>Title</b> ADSP-BF533 EZ-KIT LITE - DSP	
<b>Drawn</b>		<b>Size</b> C	<b>Board No.</b> A0167-2001
<b>Checked</b>		<b>Date</b> 12-21-2004_15:13	<b>Rev</b> 1.6C
<b>Engineering</b>		<b>Sheet</b> 2	<b>of</b> 12

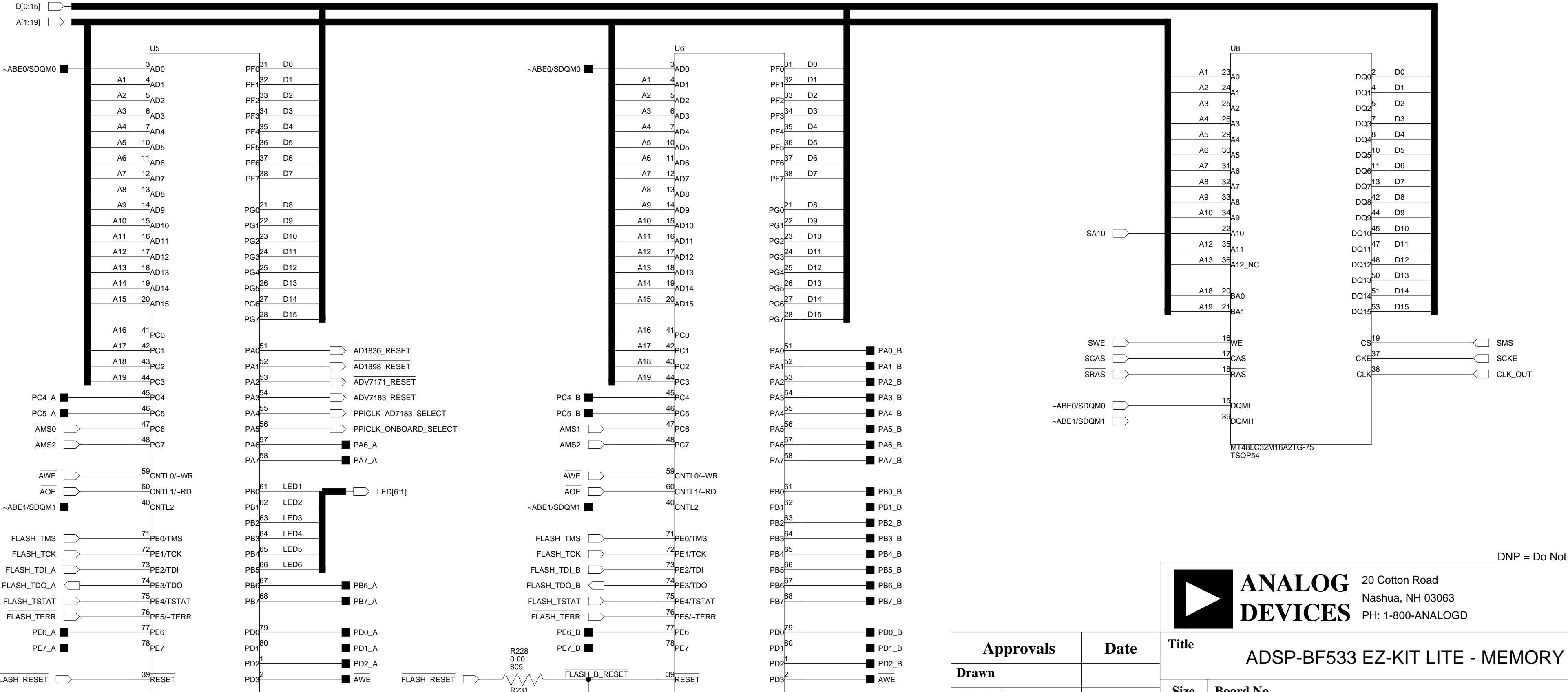
FlashLINK JTAG HEADER



FLASH A (1MB)  
512K x 16

FLASH B (1MB)  
512K x 16

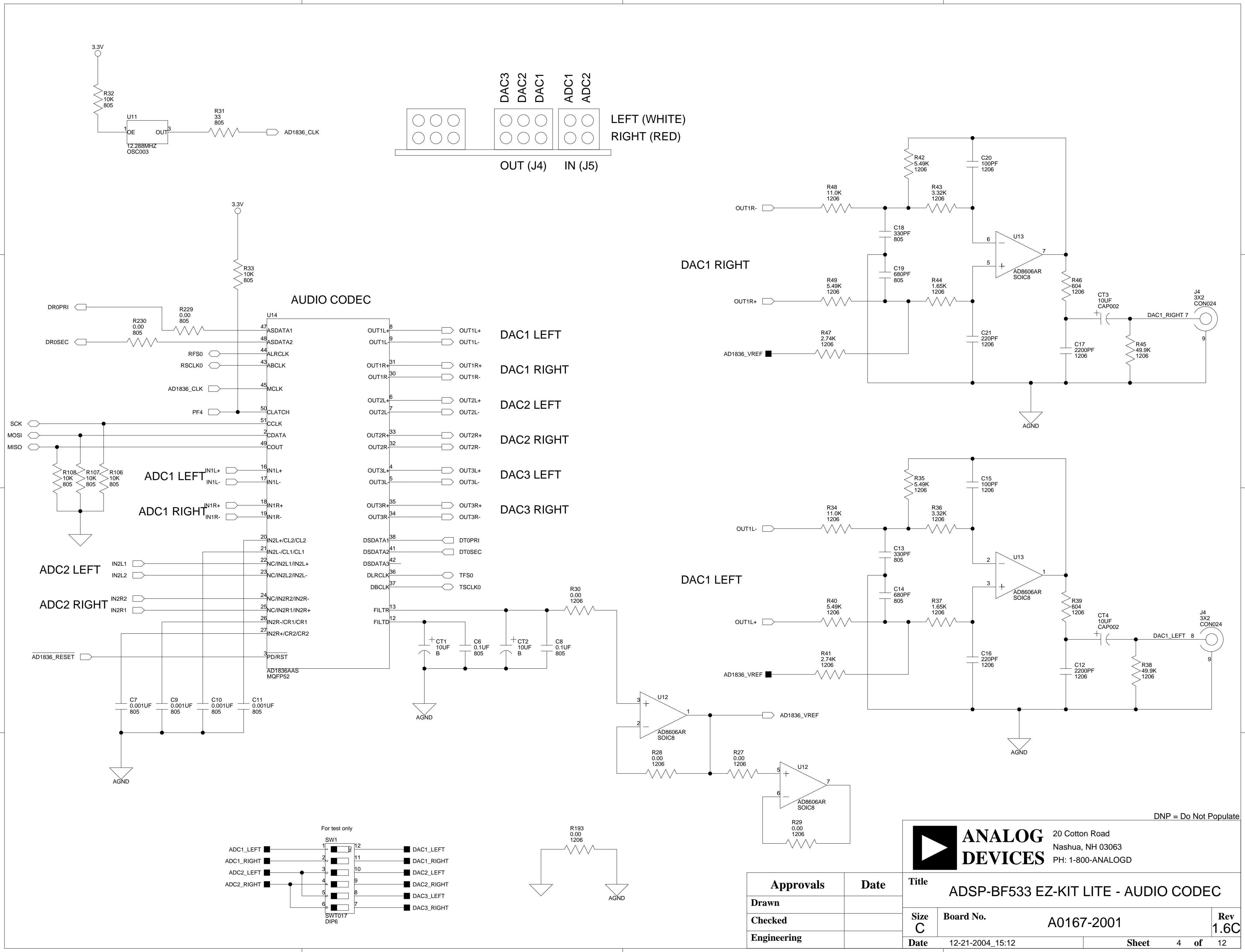
SDRAM 512Mb  
(64MB - 32M x 16)




DNP = Do Not Populate



Approvals		Date		Title	
Checked		Engineering		ADSP-BF533 EZ-KIT LITE - MEMORY	
Size C	Board No.	Rev		1.6C	
Date	12-21-2004_15:12	Sheet	3	of	12

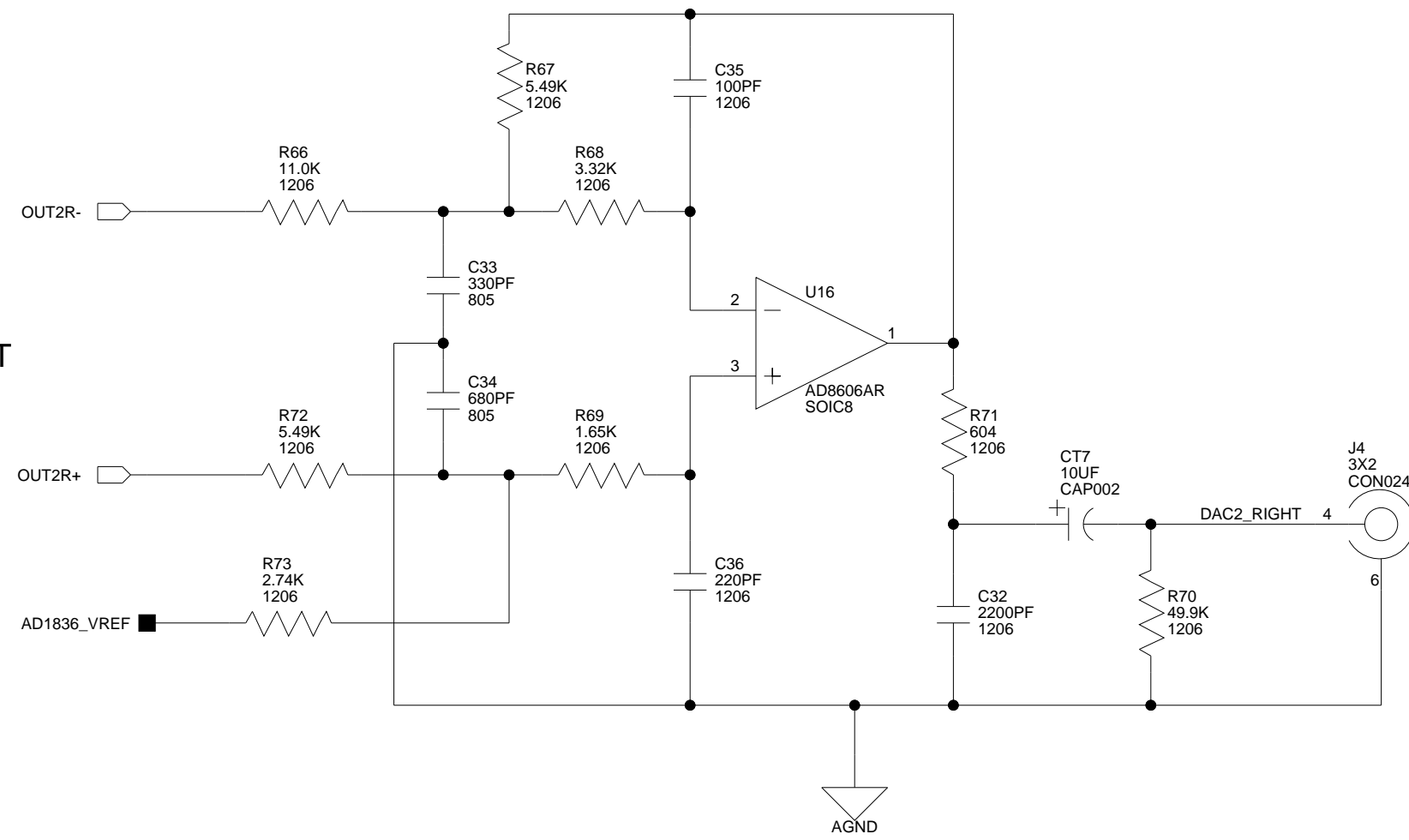


DNP = Do Not Populate

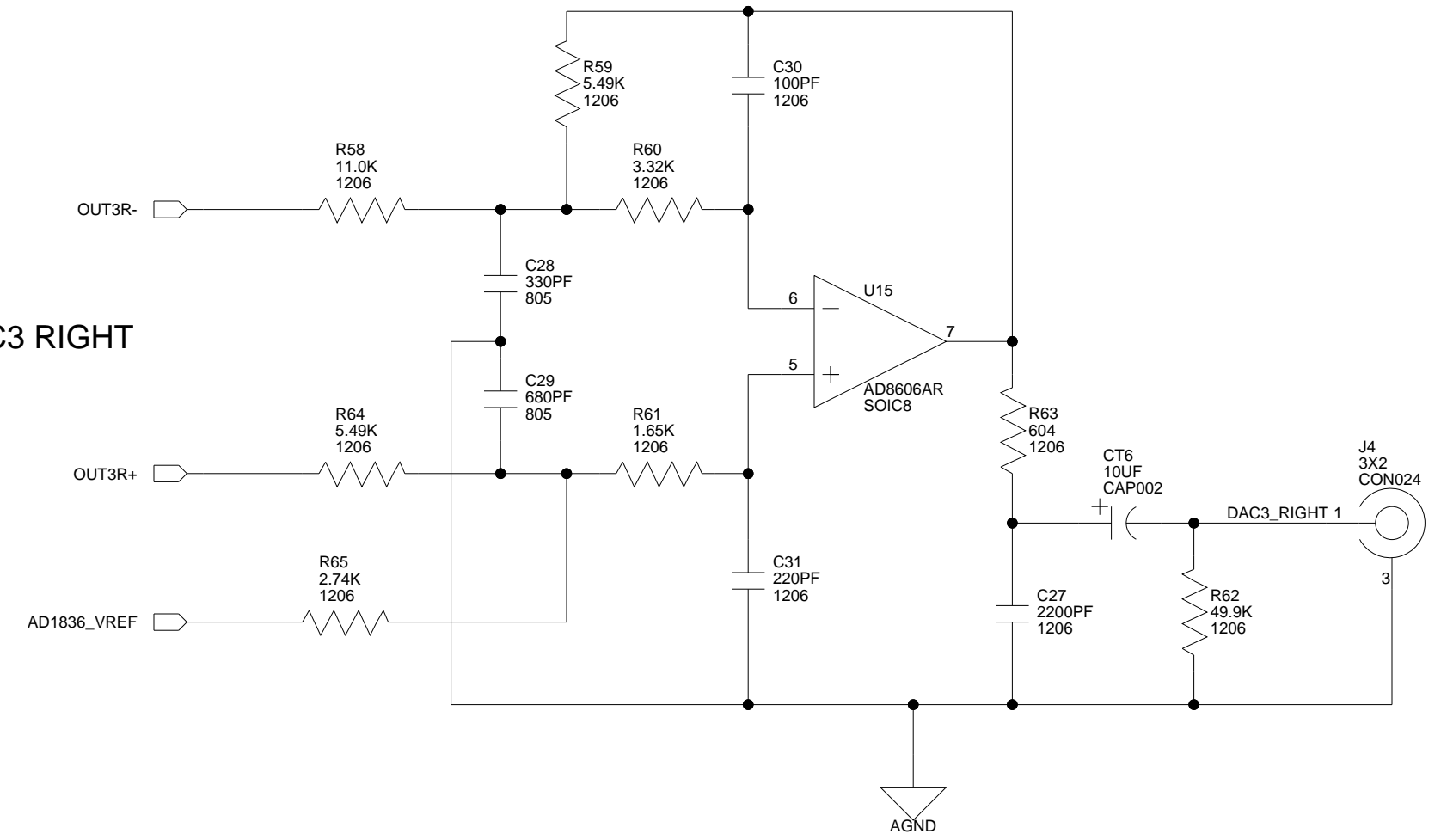
		20 Cotton Road Nashua, NH 03063 PH: 1-800-ANALOGD	
		<b>Title</b> ADSP-BF533 EZ-KIT LITE - AUDIO CODEC	
<b>Size C</b>	<b>Board No.</b> A0167-2001	<b>Rev</b> 1.6C	
<b>Date</b> 12-21-2004_15:12	<b>Sheet</b> 4 of 12		

<b>Approvals</b>	<b>Date</b>
<b>Drawn</b>	
<b>Checked</b>	
<b>Engineering</b>	

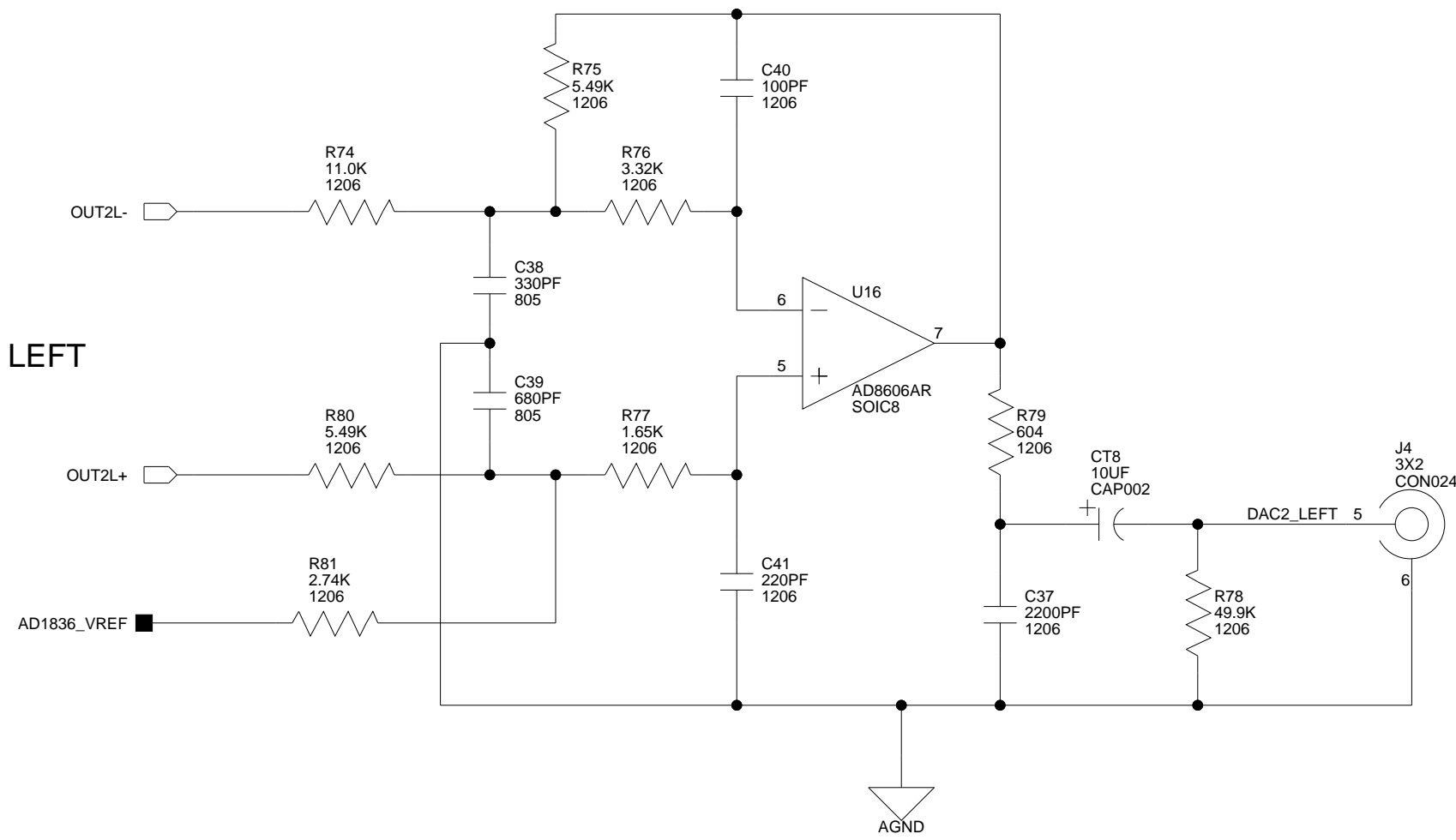
DAC2 RIGHT



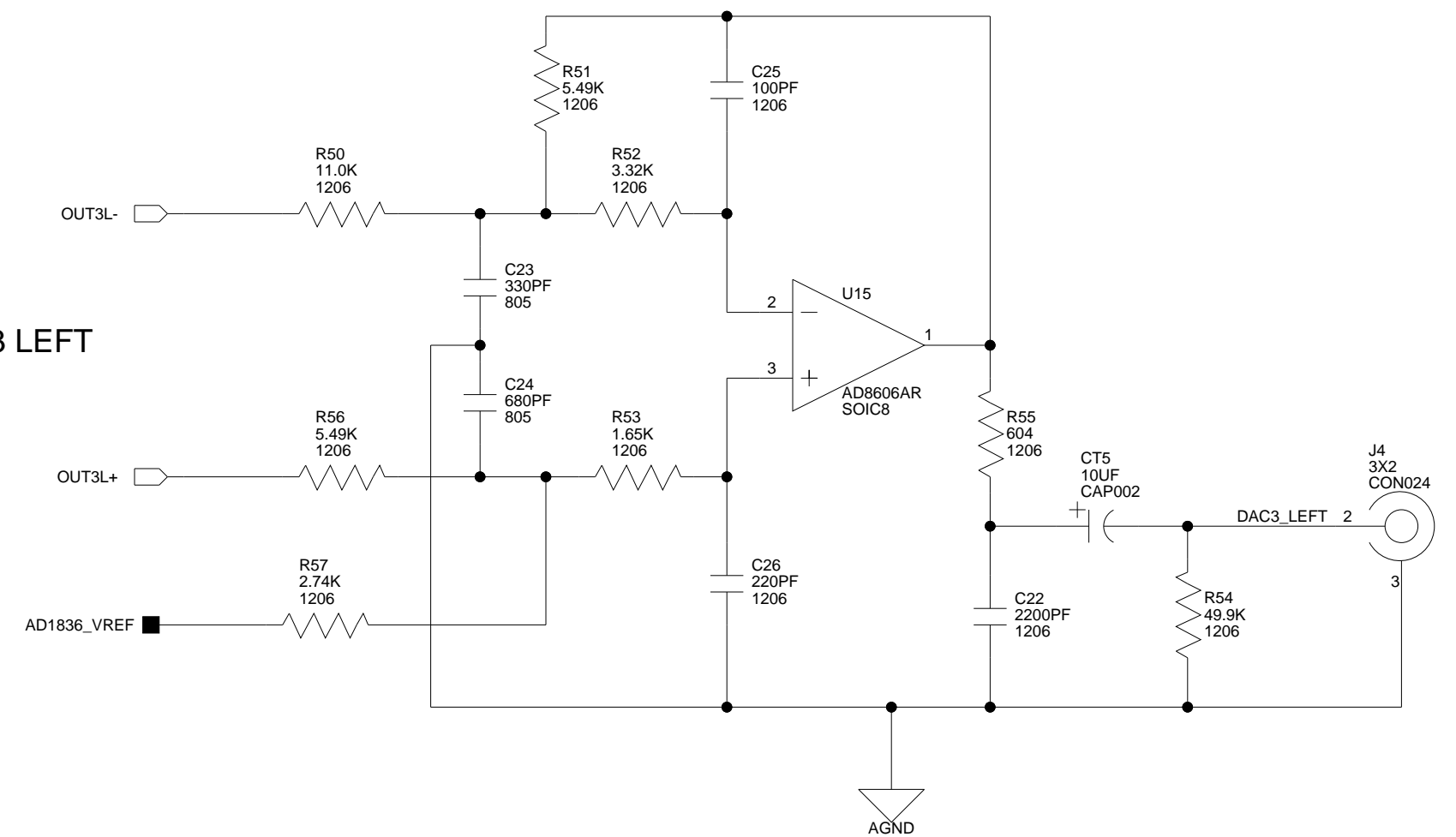
DAC3 RIGHT



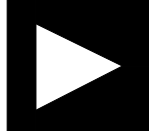
DAC2 LEFT



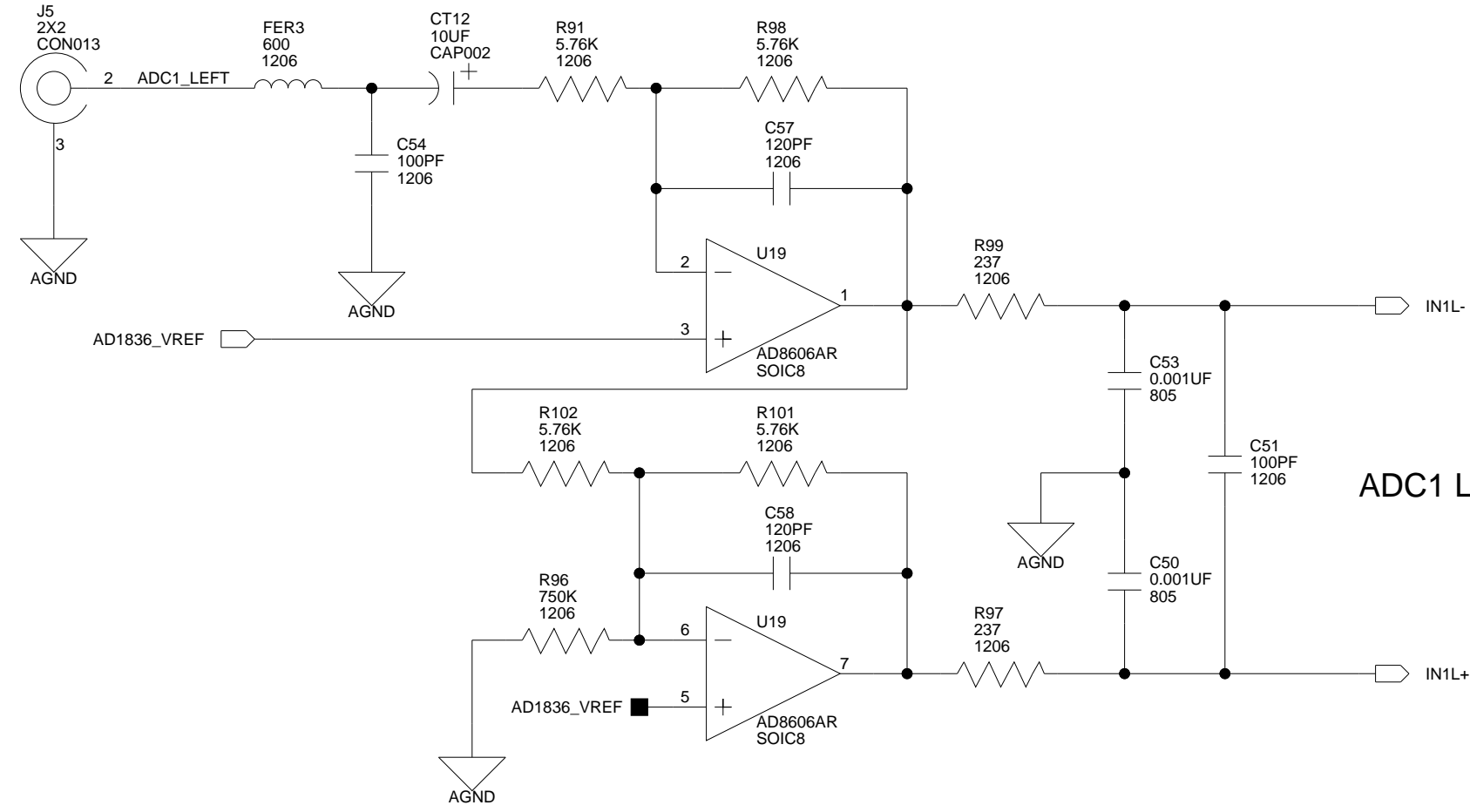
DAC3 LEFT



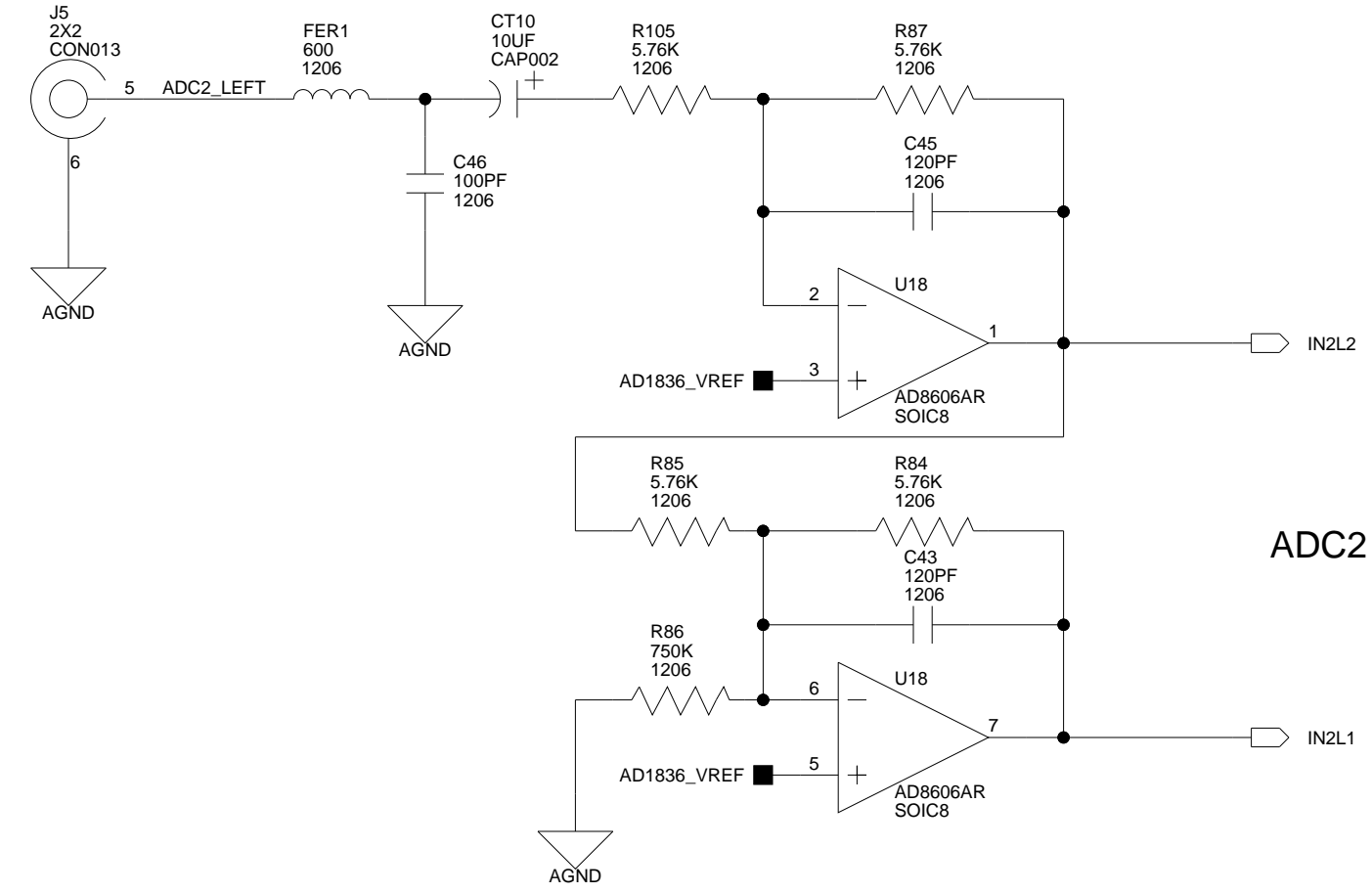
DNP = Do Not Populate

 <b>ANALOG DEVICES</b>		20 Cotton Road Nashua, NH 03063 PH: 1-800-ANALOGD	
		<b>Title</b> ADSP-BF533 EZ-KIT LITE - AUDIO OUT	
<b>Size C</b>		<b>Board No.</b> A0167-2001	
<b>Date</b> 12-21-2004_15:12		<b>Rev</b> 1.6C	
<b>Sheet</b> 5 of 12			

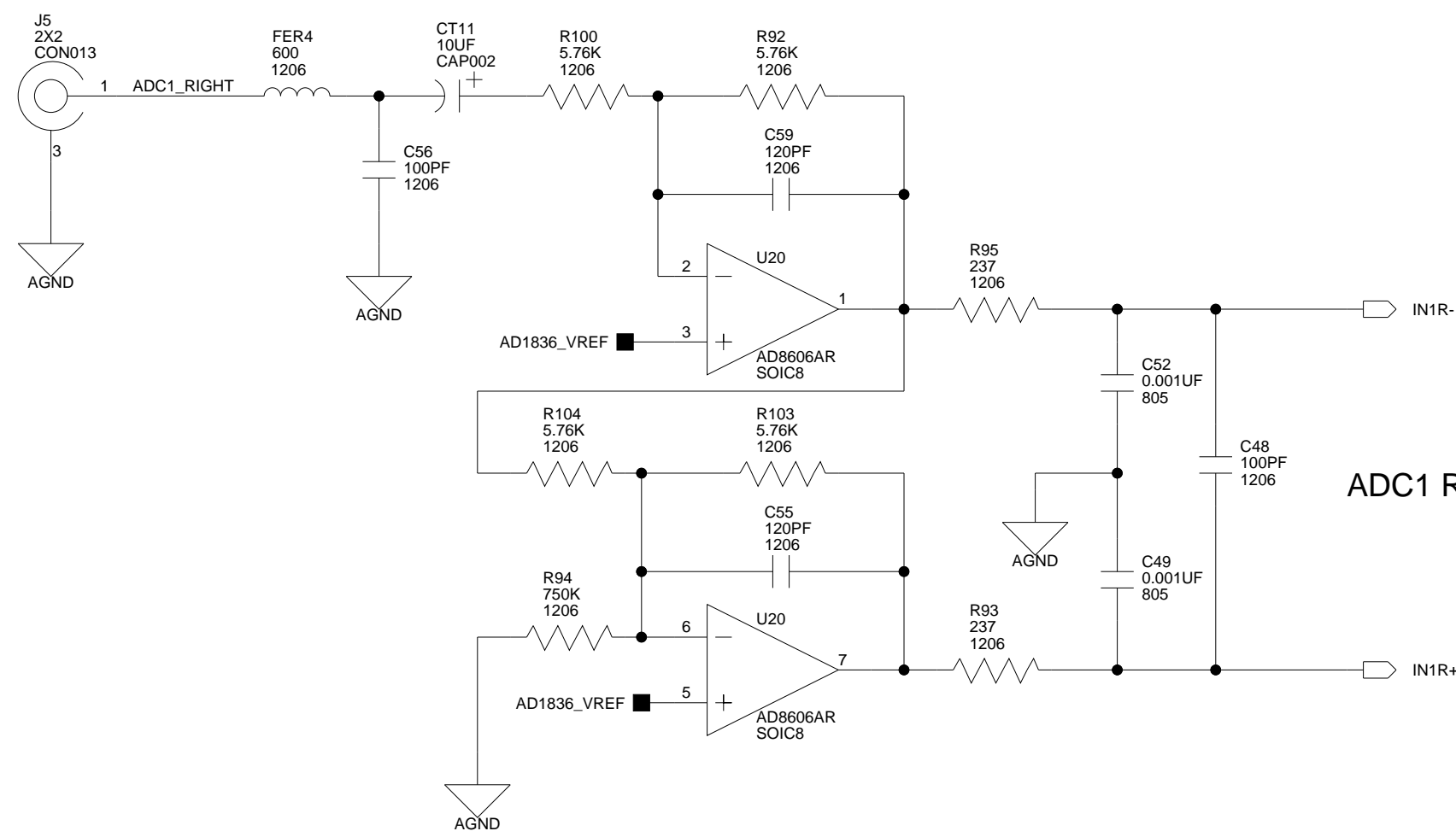
<b>Approvals</b>	<b>Date</b>
<b>Drawn</b>	
<b>Checked</b>	
<b>Engineering</b>	



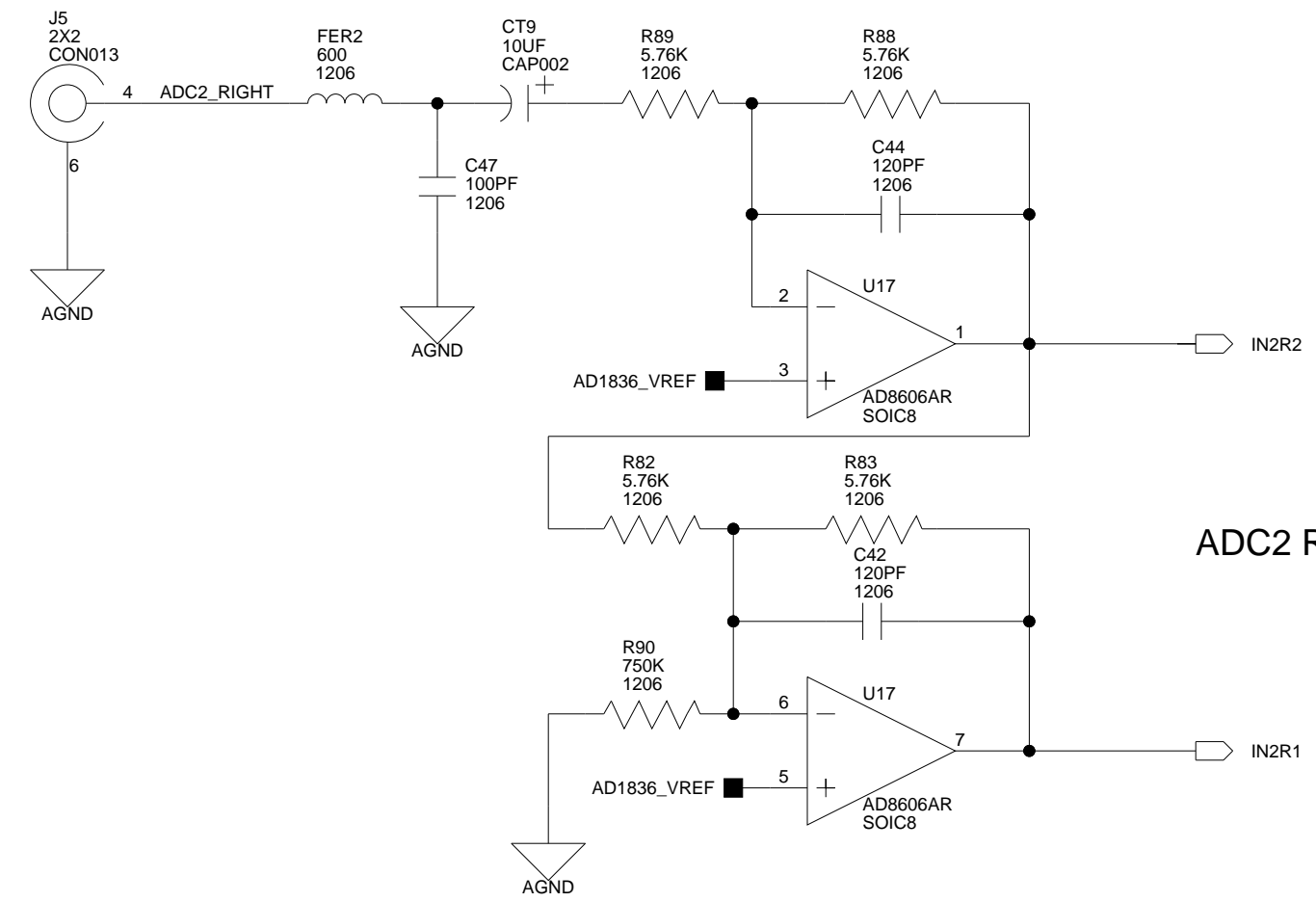
ADC1 LEFT



ADC2 LEFT



ADC1 RIGHT



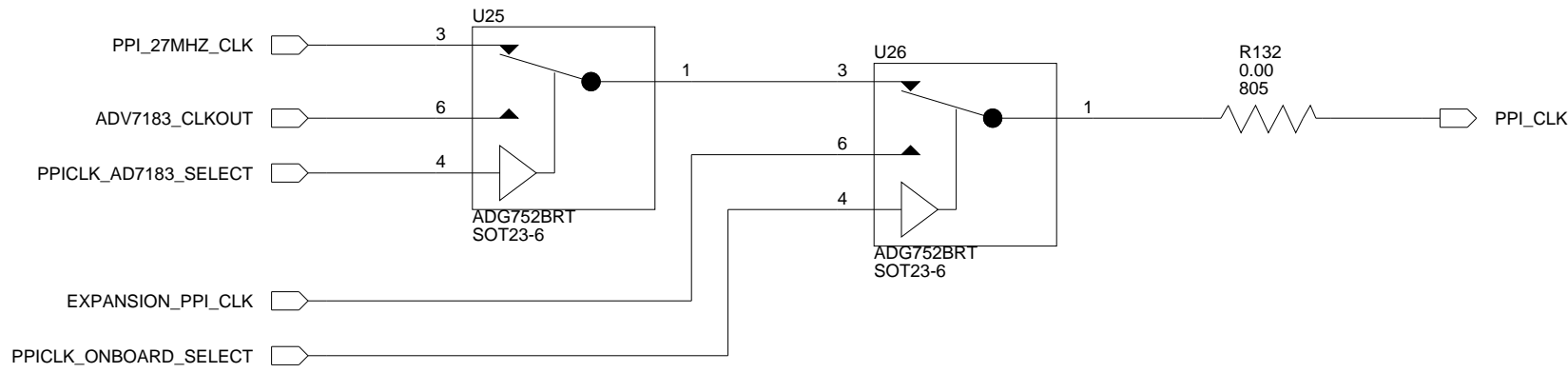
ADC2 RIGHT

DNP = Do Not Populate

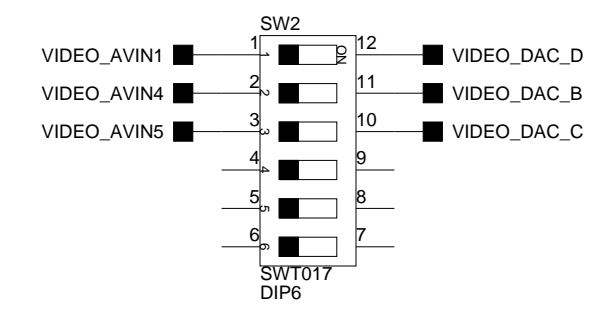
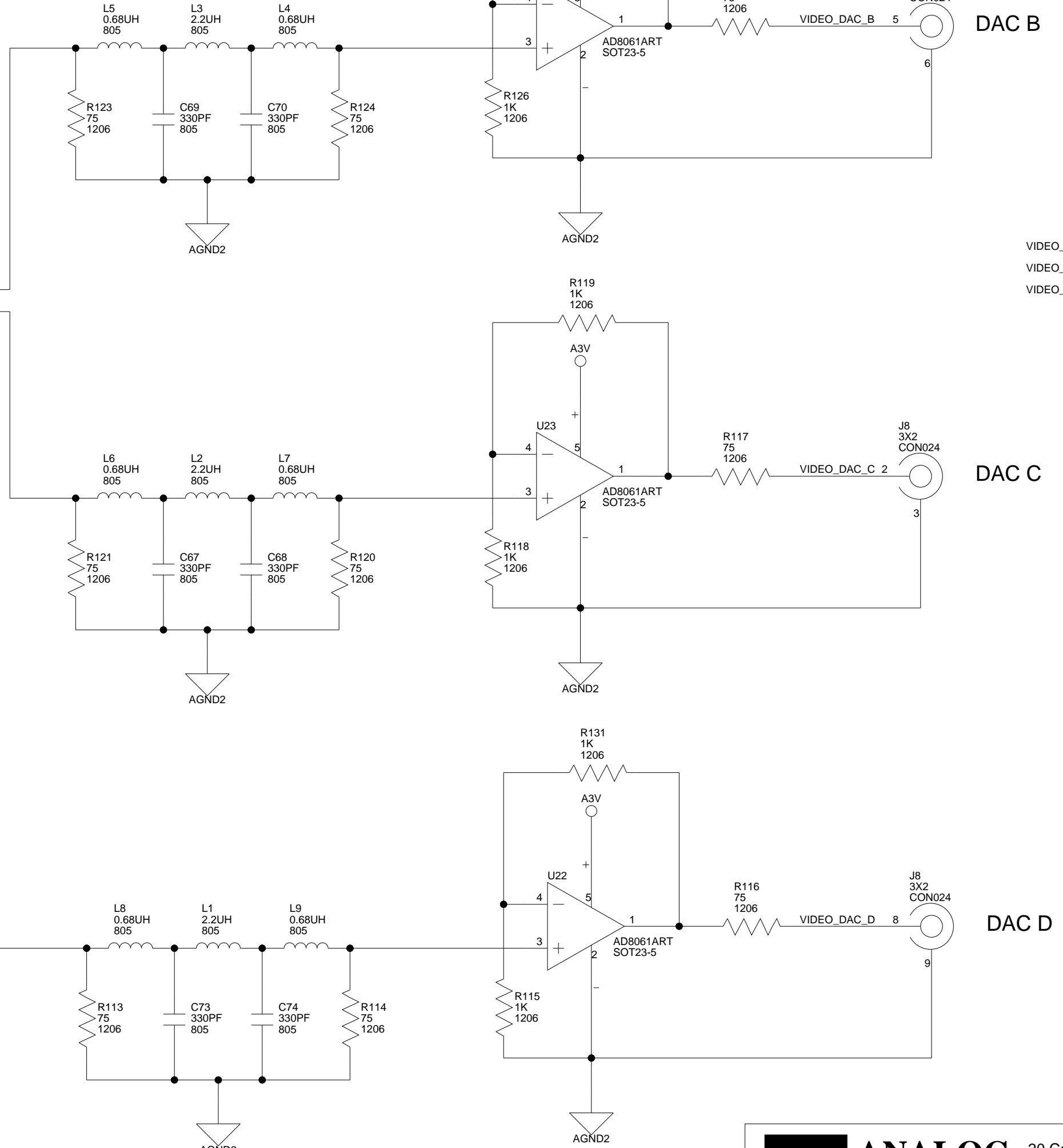
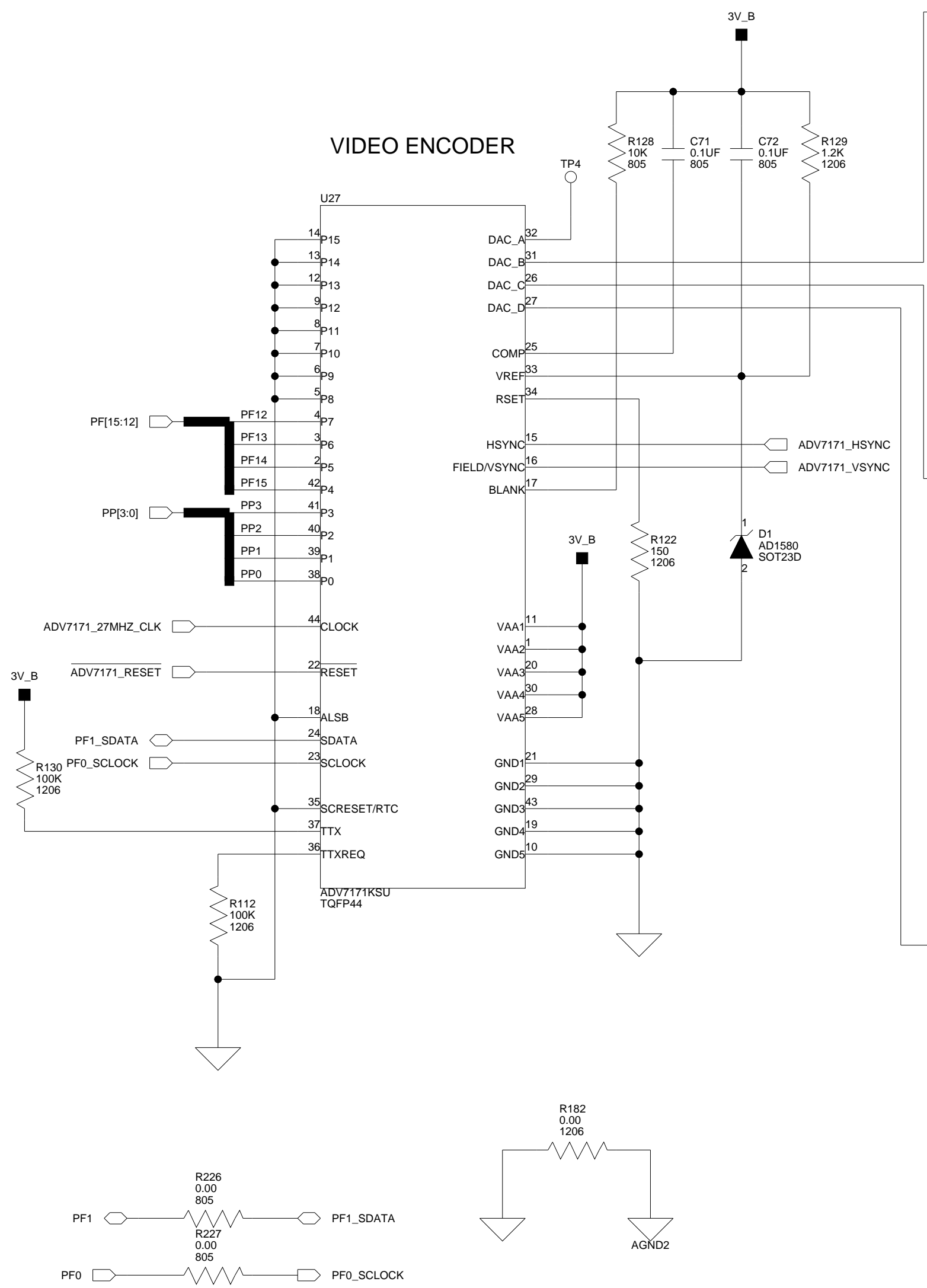
 <b>ANALOG DEVICES</b>		20 Cotton Road Nashua, NH 03063 PH: 1-800-ANALOGD	
		<b>Title</b> ADSP-BF533 EZ-KIT LITE - AUDIO IN	
<b>Approvals</b> Drawn Checked Engineering	<b>Date</b>	<b>Size C</b> <b>Board No.</b> A0167-2001 <b>Date</b> 12-21-2004_15:12	<b>Rev</b> 1.6C <b>Sheet</b> 6 of 12

PPICKL_ONBOARD_SELECT	PPICKL_AD7183_SELECT	PPCLK
0	0	PPL_27MHZ_CLK (DEFAULT)
0	1	ADV7183_CLKOUT
1	X	EXPANSION_CLK

	DAC B	DAC C	DAC D
Composite Video	CVSB		CVSB
Component Video	B	R	G
Differential Component Video	U	V	Y
S Video		C	Y



**VIDEO ENCODER**

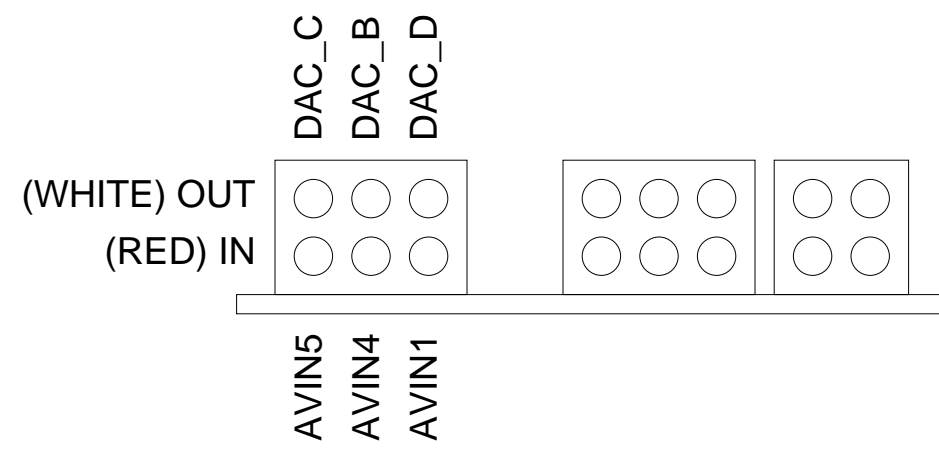


DNP = Do Not Populate

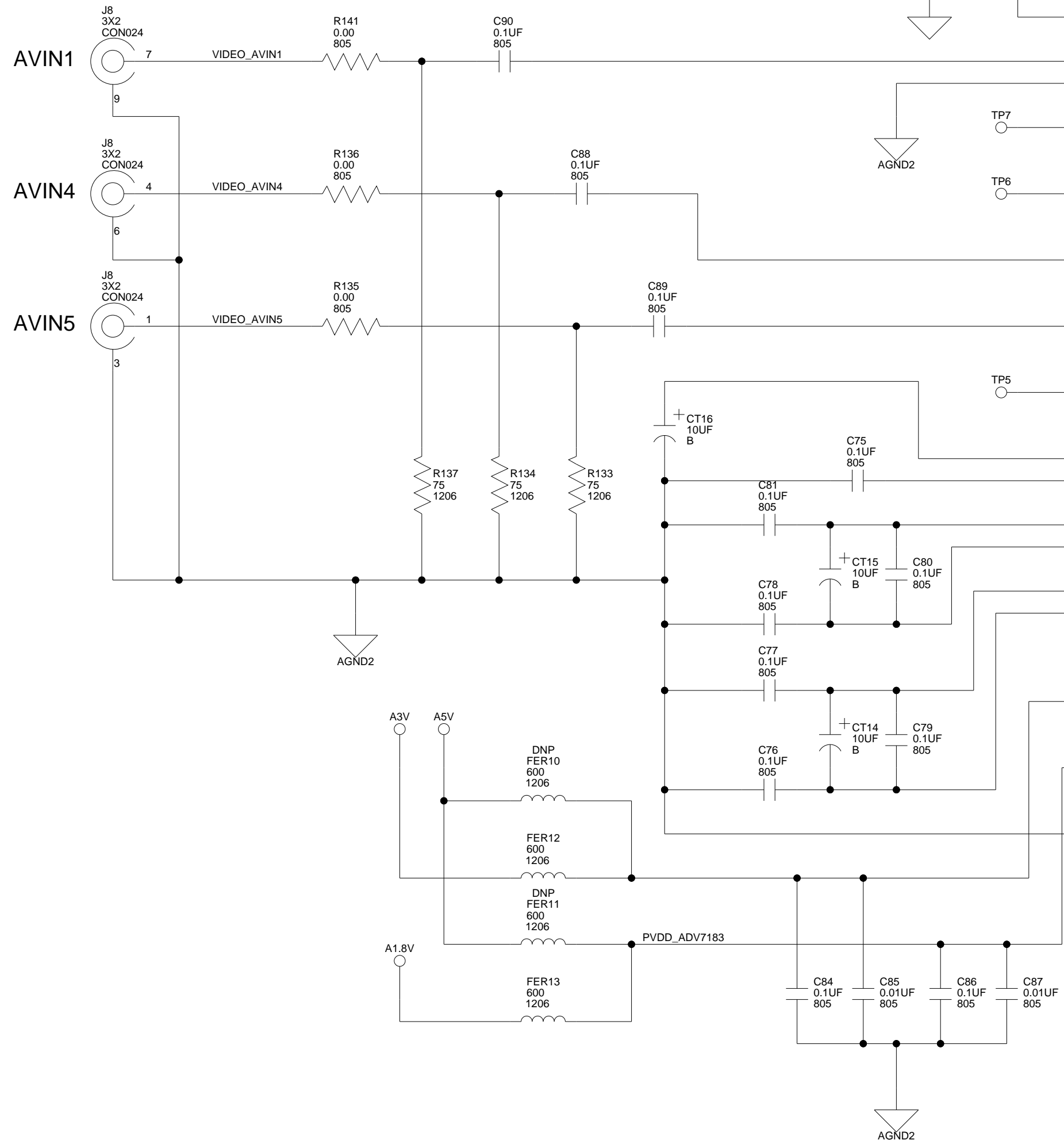
**ANALOG DEVICES**

20 Cotton Road  
Nashua, NH 03063  
PH: 1-800-ANALOGD

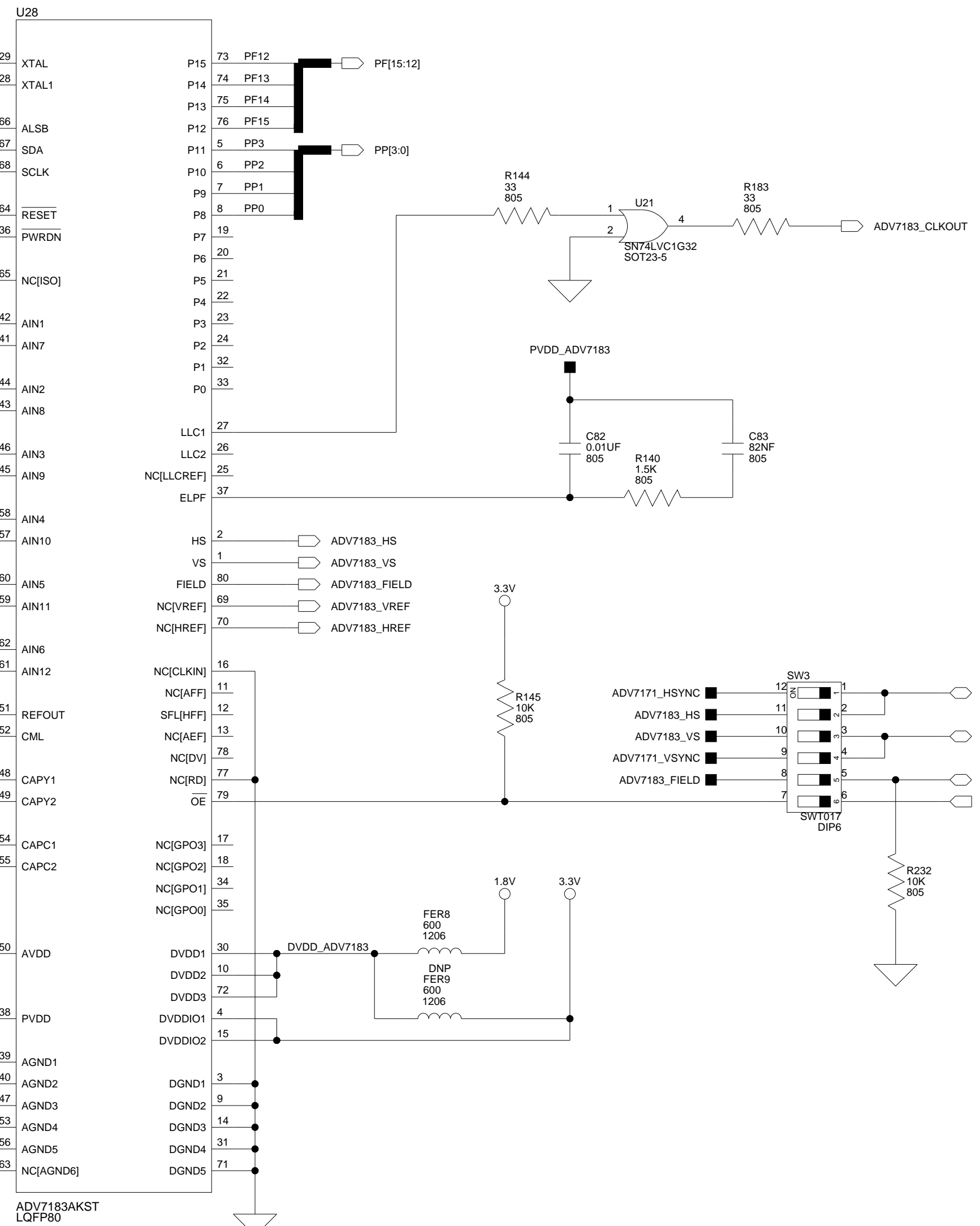
<b>Approvals</b>		<b>Date</b>		<b>Title</b>	
<b>Drawn</b>		<b>Checked</b>		<b>Engineering</b>	
<b>Size C</b>		<b>Board No.</b>		<b>Rev</b>	
<b>Date</b>		<b>Sheet</b>		<b>of</b>	
12-21-2004_15:12		7 of 12		A0167-2001 1.6C	



	AVIN1	AVIN4	AVIN5
Composite Video	CVBS	CVBS	CVBS
Differential Component Video	Y	U	V
S Video	Y	C	



**VIDEO DECODER**



DNP = Do Not Populate

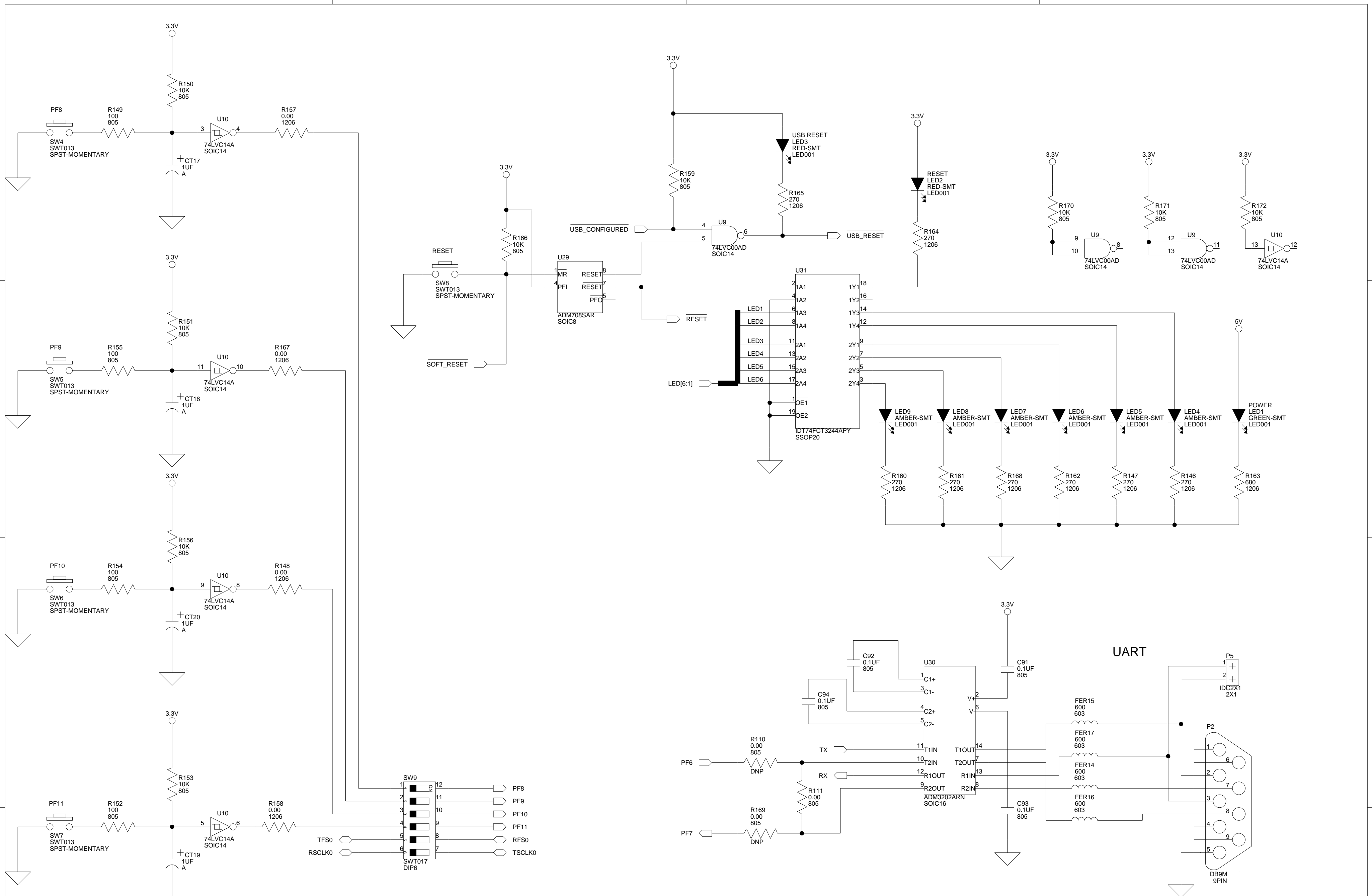
**ANALOG DEVICES**

20 Cotton Road  
Nashua, NH 03063  
PH: 1-800-ANALOGD

<b>Approvals</b>		<b>Date</b>		<b>Title</b>	
<b>Drawn</b>		<b>Checked</b>		<b>Engineering</b>	
<b>Size C</b>		<b>Board No.</b>		<b>Rev</b>	
<b>Date</b>		<b>Sheet</b>		<b>of</b>	
12-21-2004_15:12		8 of 12		A0167-2001 1.6C	

<b>Approvals</b>	<b>Date</b>
<b>Drawn</b>	
<b>Checked</b>	
<b>Engineering</b>	





**SW8 PB Enable Switch**

Position	Function
1-4	Connects the push buttons to the Programmable Flags of the DSP Useful if using the PFs for another purpose.
5,6	Connects SPORT0 frame sync and clock together external to the DSP Required when AD1836 is in I2S mode

DNP = Do Not Populate

**ANALOG DEVICES**

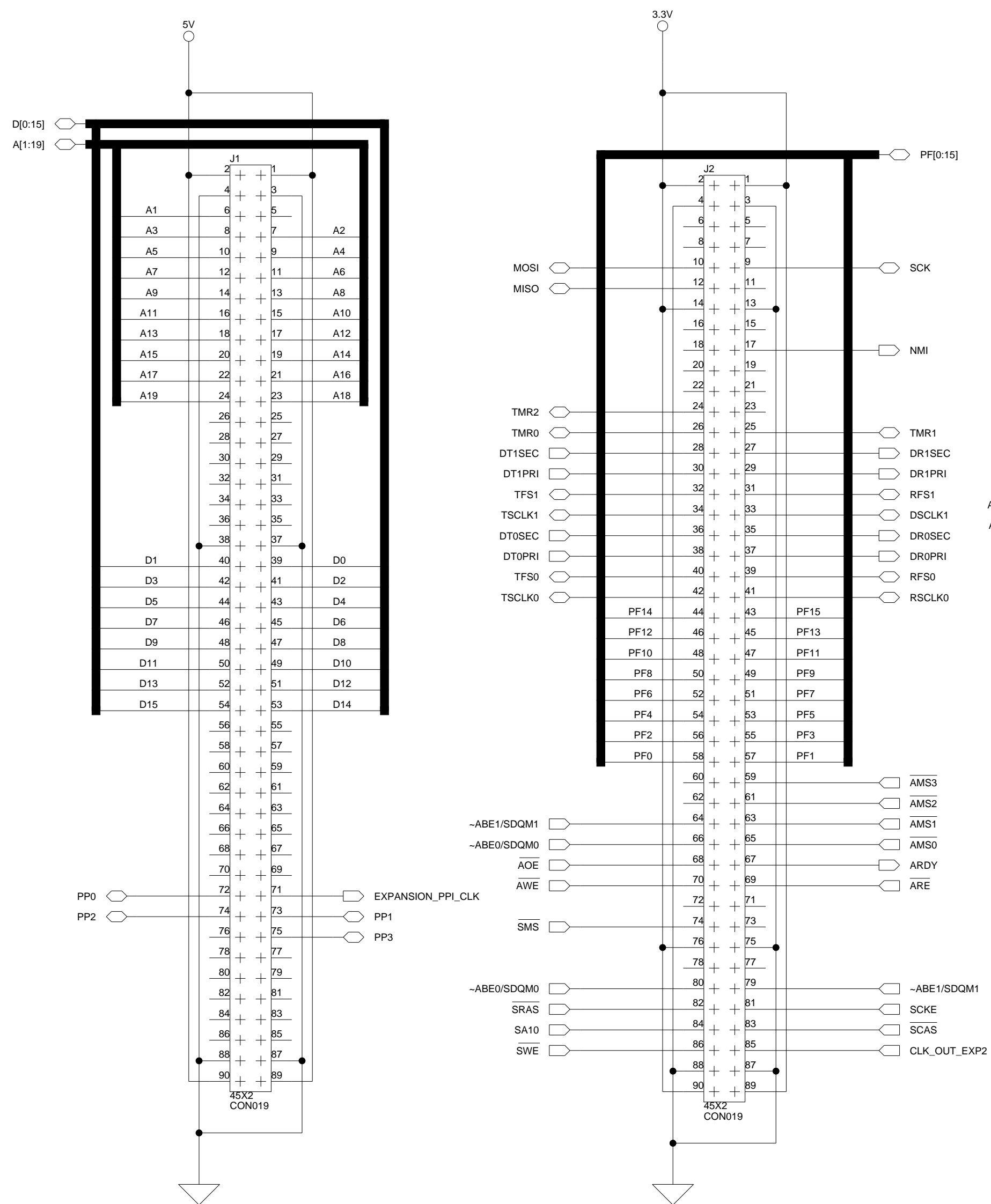
20 Cotton Road  
Nashua, NH 03063  
PH: 1-800-ANALOGD

<b>Approvals</b>		<b>Date</b>		<b>Title</b>	
<b>Drawn</b>		<b>Board No.</b>		<b>Rev</b>	
<b>Checked</b>		<b>C</b>		<b>1.6C</b>	
<b>Engineering</b>		<b>Date</b>		<b>Sheet</b>	
		12-21-2004_15:12		9 of 12	

<b>Approvals</b>	<b>Date</b>
<b>Drawn</b>	
<b>Checked</b>	
<b>Engineering</b>	

<b>Size</b>	<b>Board No.</b>	<b>Rev</b>	
<b>C</b>	A0167-2001	1.6C	
<b>Date</b>		<b>Sheet</b>	
12-21-2004_15:12		9 of 12	

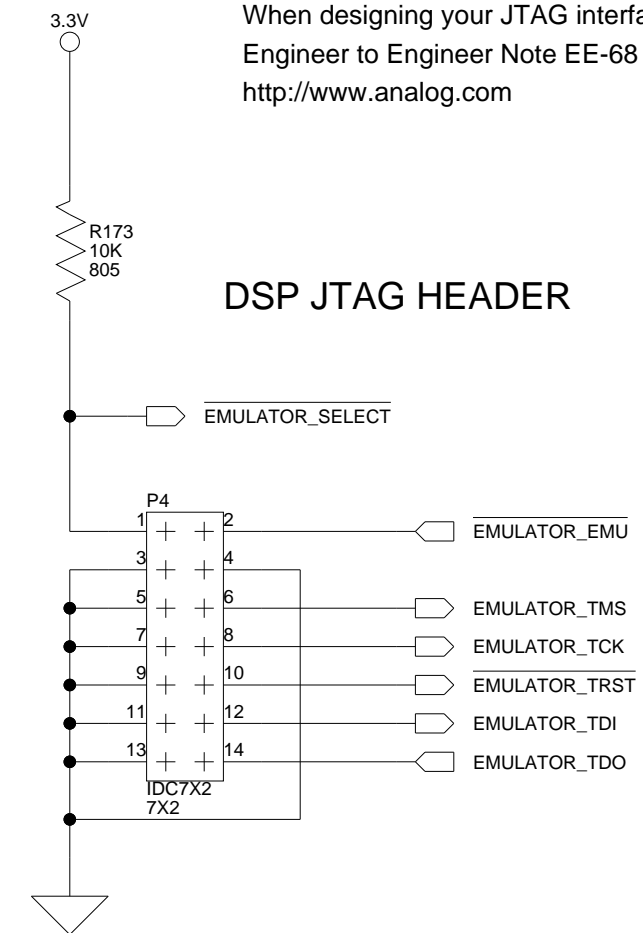
### EXPANSION INTERFACE (TYPE B)



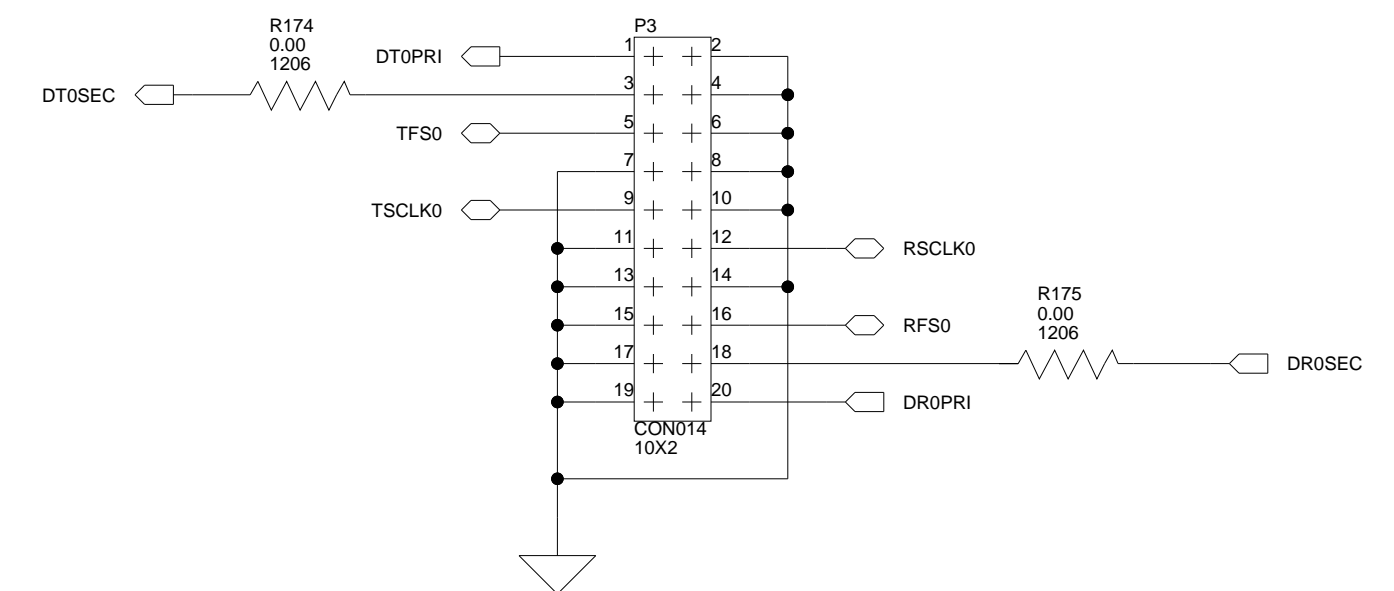
All USB interface circuitry is considered proprietary and has been omitted from this schematic.

When designing your JTAG interface please refer to the Engineer to Engineer Note EE-68 which can be found at <http://www.analog.com>

### DSP JTAG HEADER



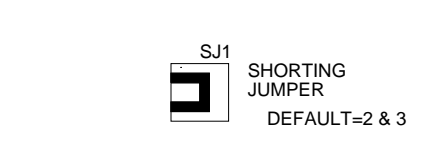
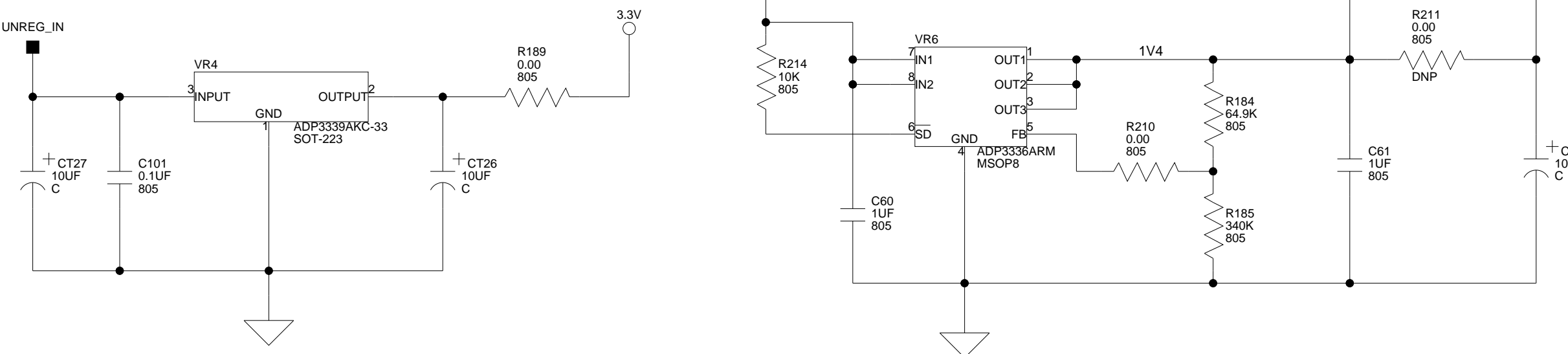
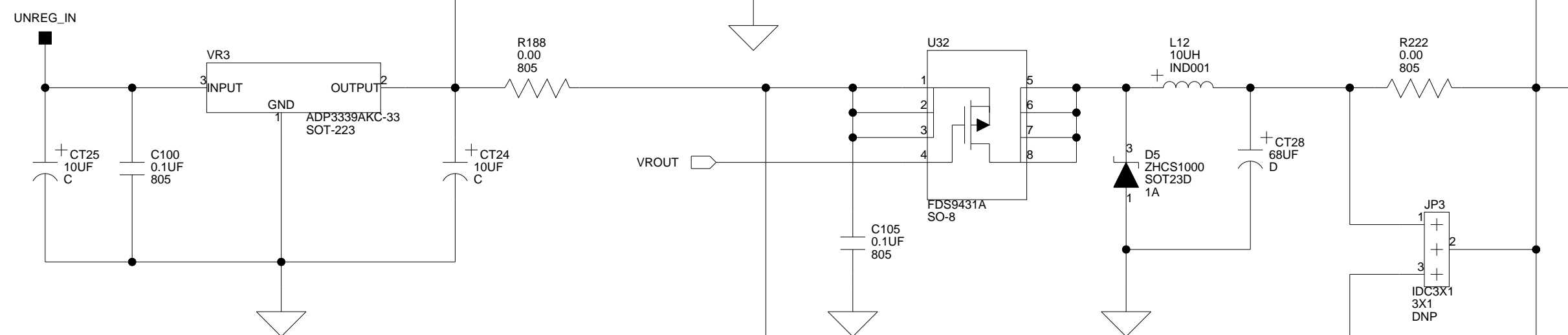
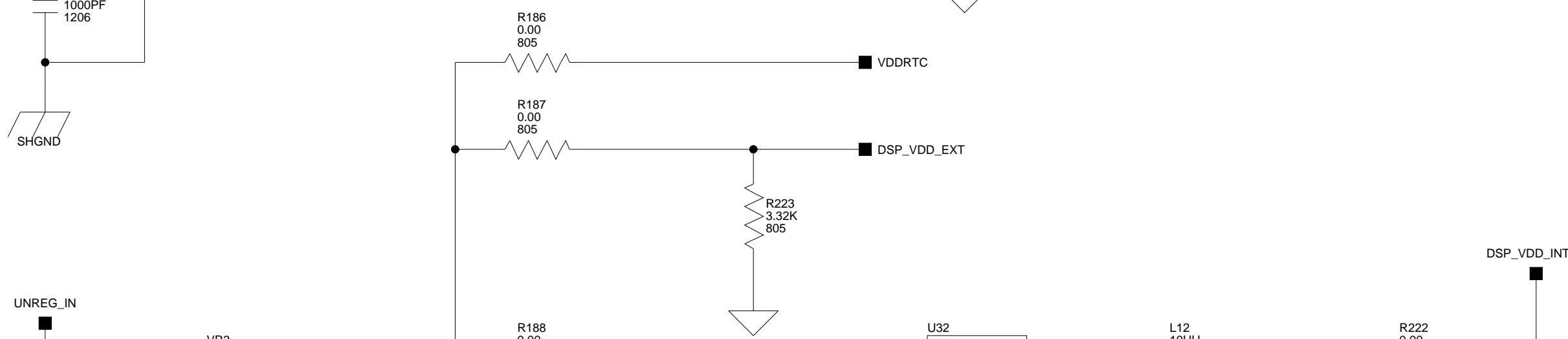
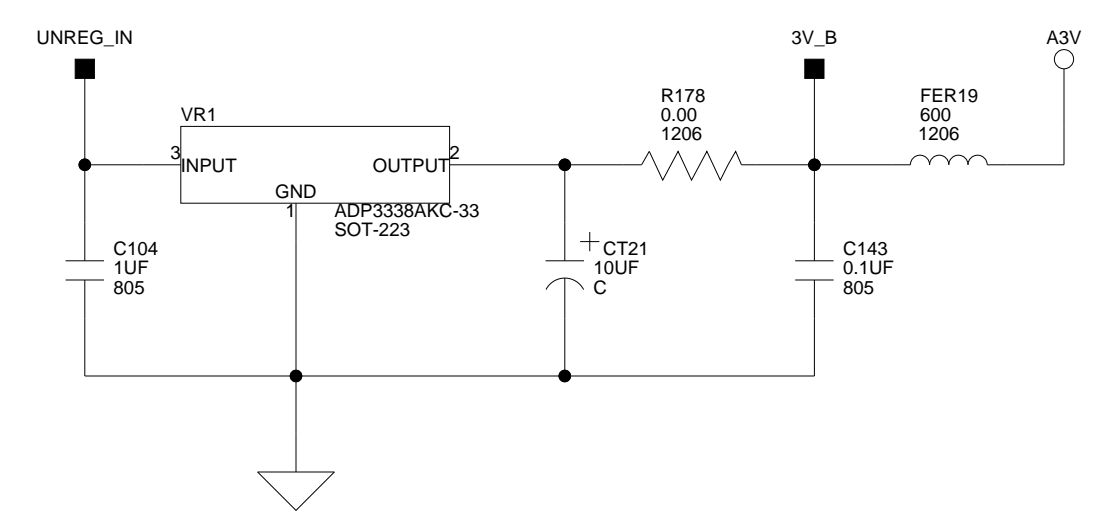
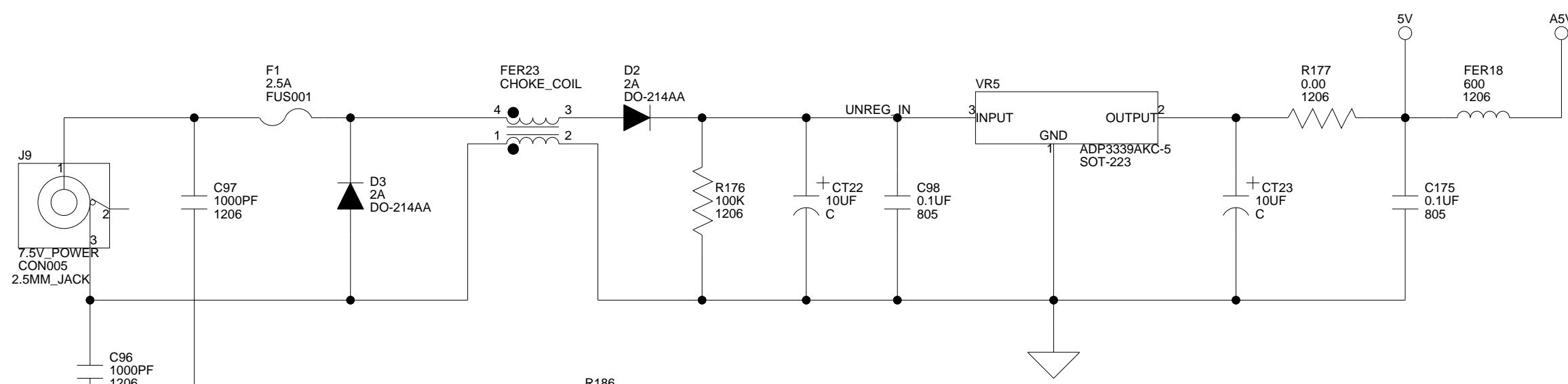
### SPORT0



DNP = Do Not Populate

		20 Cotton Road Nashua, NH 03063 PH: 1-800-ANALOGD	
		<b>Title</b> ADSP-BF533 EZ-KIT LITE - CONNECTOR	
<b>Size C</b>	<b>Board No.</b> A0167-2001	<b>Rev</b> 1.6C	
<b>Date</b> 12-21-2004_15:11	<b>Sheet</b> 10 of 12		<b>Rev</b> 1.6C

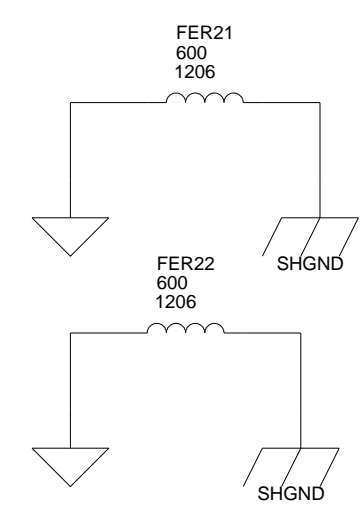
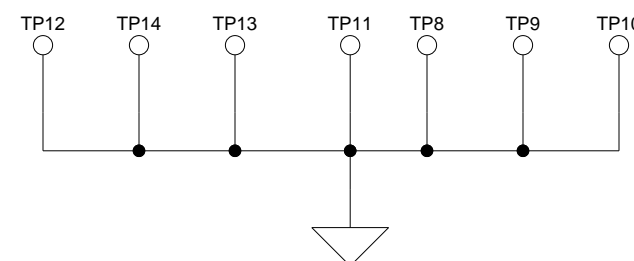
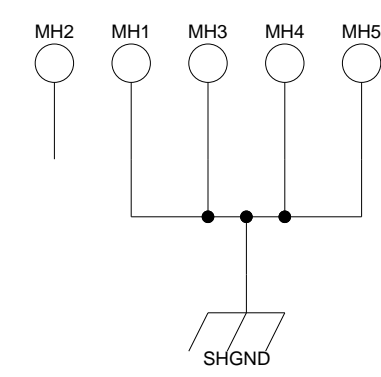
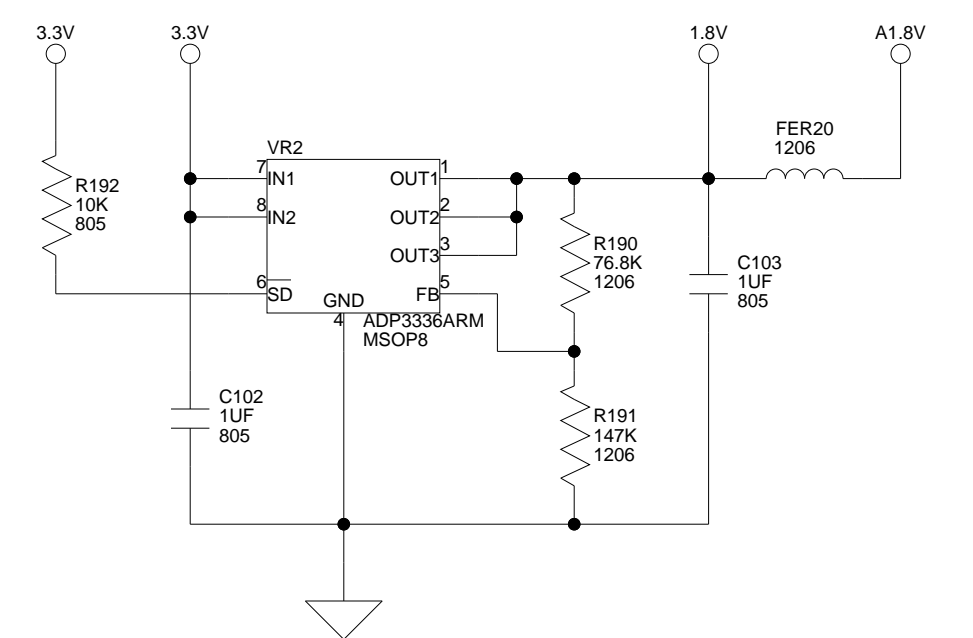
Approvals	Date
Drawn	
Checked	
Engineering	



SW10: Core Voltage Source Select  
DEFAULT: Not Populated

Position	Function
1 and 2	DSP_VDD_INT = DSP Internal Voltage Regulation
2 and 3	DSP_VDD_INT = 1.4V Fixed

Note: For boards without a 750MHz processor this jumper will not be populated and the DSP\_VDD\_INT will be hard-wired with R222 to use the processor internal regulator.



DNP = Do Not Populate

**ANALOG DEVICES**

20 Cotton Road  
Nashua, NH 03063  
PH: 1-800-ANALOGD

<b>Approvals</b>		<b>Date</b>		<b>Title</b>	
<b>Drawn</b>		<b>Checked</b>		<b>Engineering</b>	
<b>Size C</b>		<b>Board No.</b>		<b>Rev</b>	
<b>Date</b>		<b>Sheet</b>		<b>11 of 12</b>	

**ADSP-BF533 EZ-KIT LITE - POWER**

**A0167-2001**

**1.6C**

<b>Approvals</b>	<b>Date</b>
<b>Drawn</b>	
<b>Checked</b>	
<b>Engineering</b>	

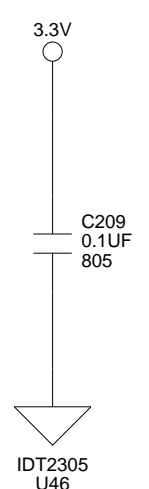
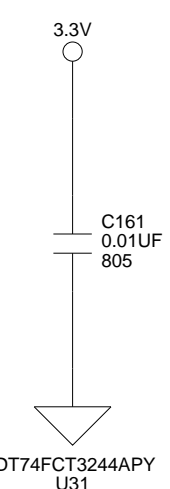
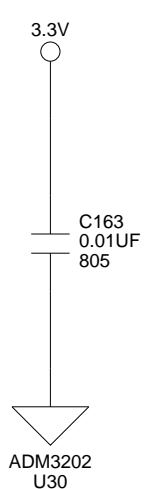
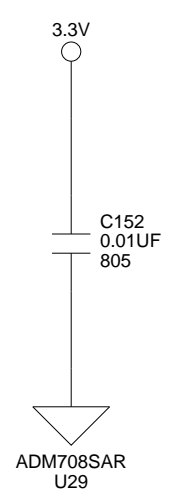
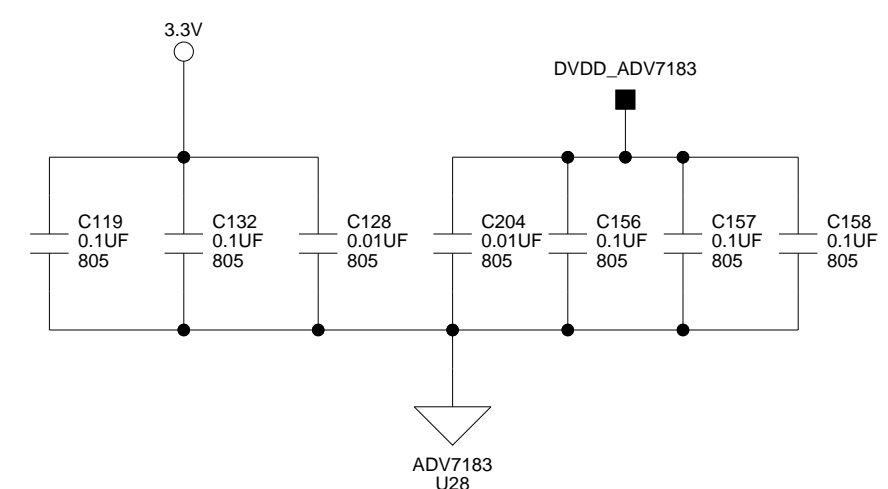
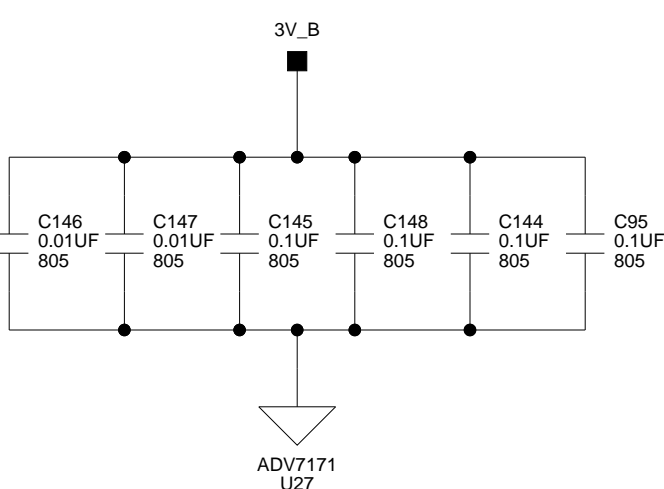
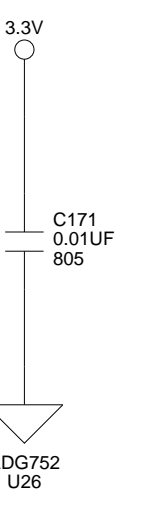
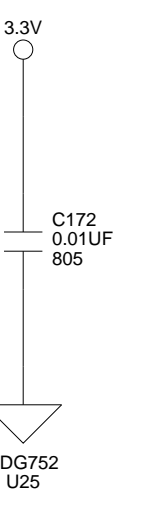
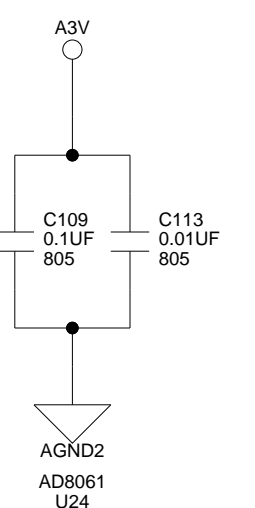
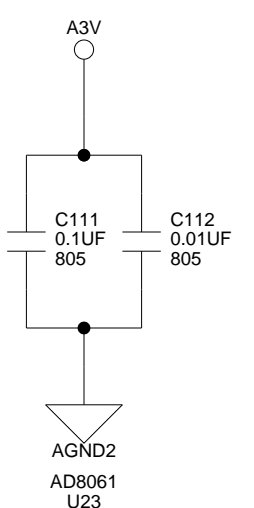
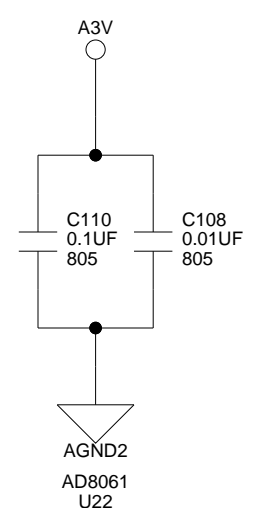
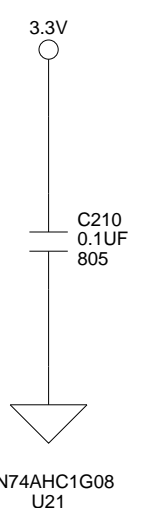
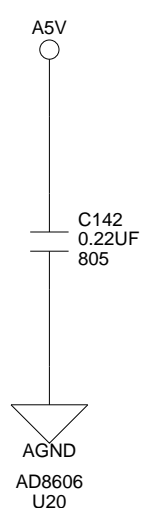
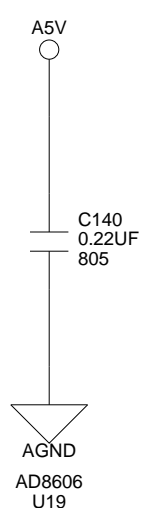
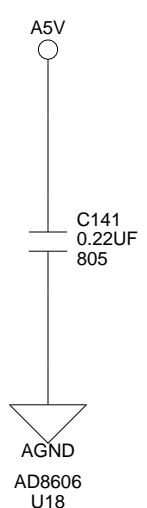
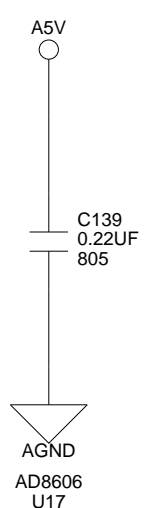
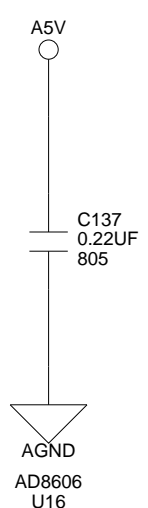
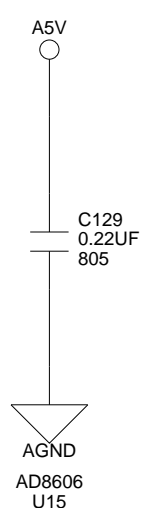
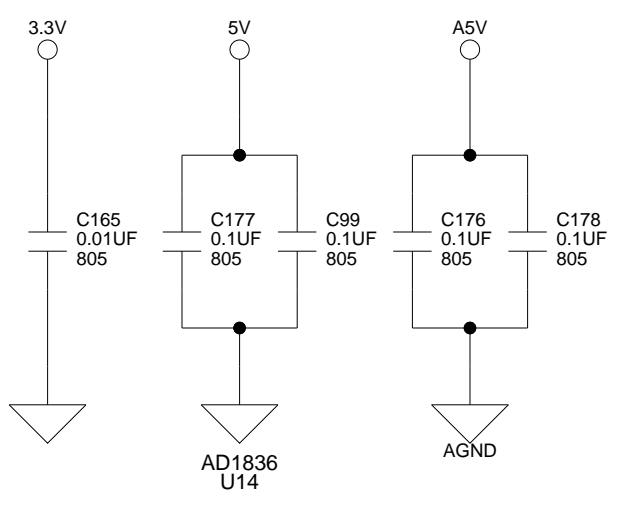
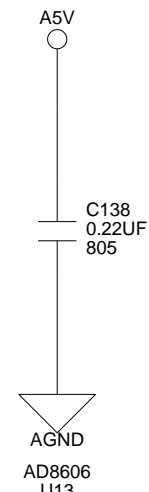
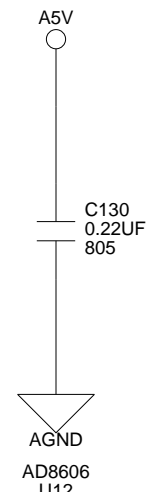
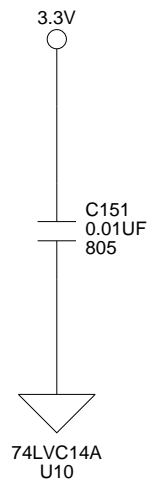
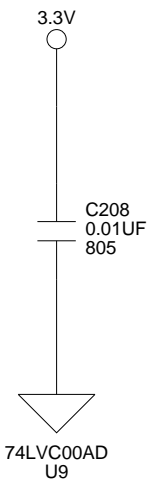
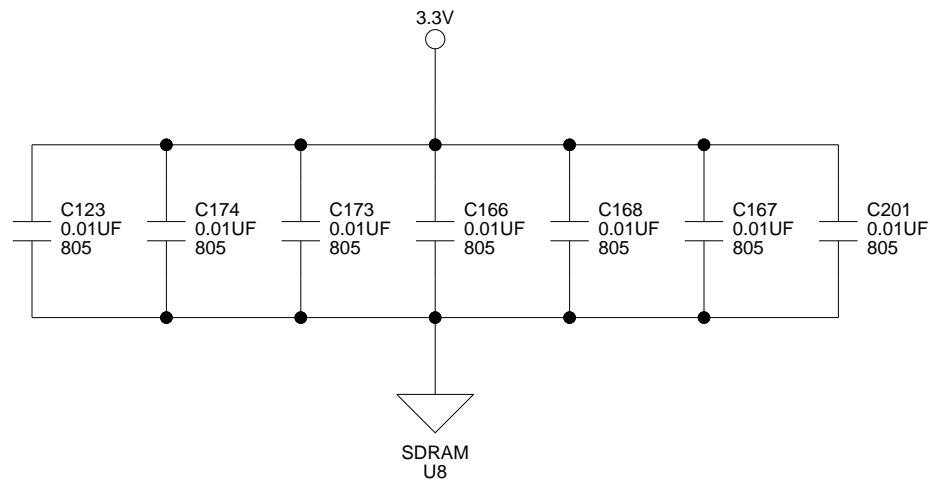
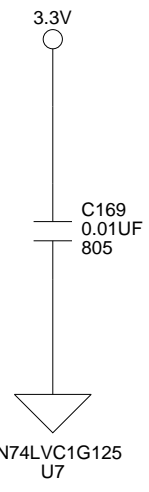
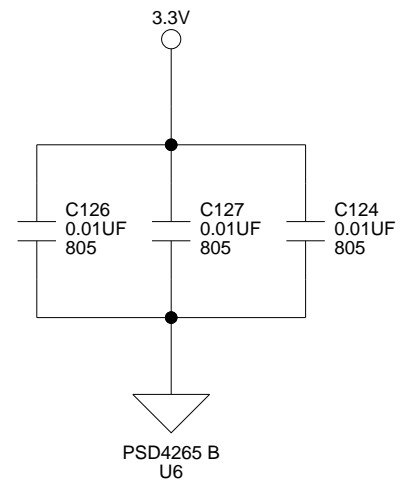
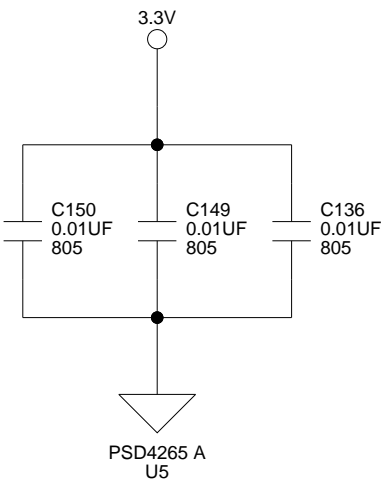
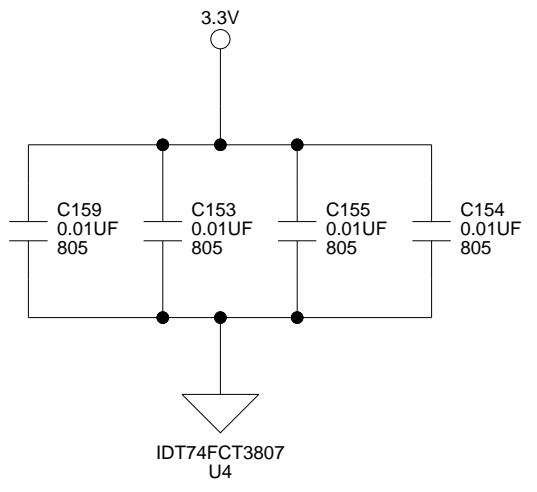
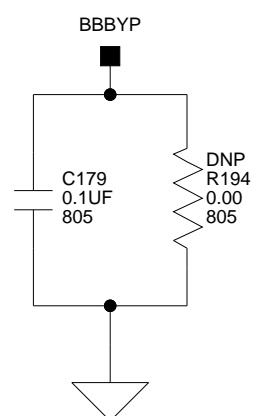
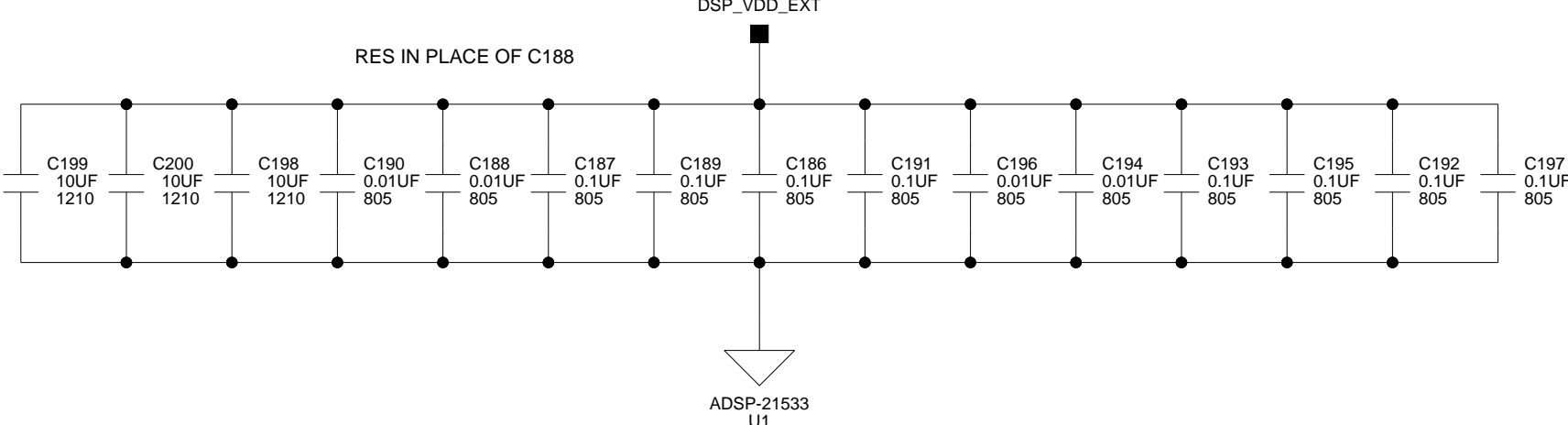
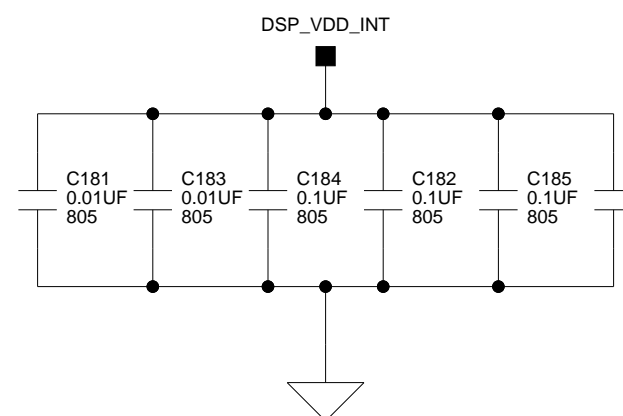
<b>Size C</b>	<b>Board No.</b>	<b>Rev</b>	<b>11 of 12</b>
<b>Date</b>	<b>Sheet</b>	<b>11 of 12</b>	<b>12</b>

A

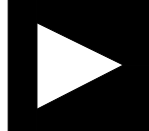
B

C

D



DNP = Do Not Populate

 <b>ANALOG DEVICES</b> 20 Cotton Road Nashua, NH 03063 PH: 1-800-ANALOGD		Title		ADSP-BF533 EZ-KIT LITE - BYPASS CAPS	
		Size C	Board No.	A0167-2001	
Date		12-21-2004_15:11		Sheet	12 of 12

Approvals	Date
Drawn	
Checked	
Engineering	

A

B

C

D

# I INDEX

## A

AD1836 audio codecs, [-xi](#), [1-13](#), [1-14](#), [2-4](#), [2-11](#)  
ADV7171 video encoders, [-xi](#), [1-16](#), [2-6](#), [2-7](#),  
[2-10](#)  
ADV7183 video decoders, [-xi](#), [1-16](#), [2-6](#), [2-7](#),  
[2-10](#)  
AINx analog video channels, [2-7](#)  
-AMS2-0 memory select pins, [1-7](#), [1-10](#), [2-3](#)  
analog  
  audio interface, *See* SPORT0  
  video interface, *See* video interface  
architecture, of this EZ-KIT Lite, [2-2](#)  
ASYNC (asynchronous memory control)  
  control registers, [1-10](#)  
  external memory banks 0-2, [1-7](#), [1-10](#)  
audio  
  codecs, *See* AD1836 audio codecs  
  connectors (J4-5), [2-17](#)  
  interface, *See* SPORT0

## B

background telemetry channel (BTC), [1-17](#)  
bill of materials, [A-1](#)  
board schematic, [B-1](#)  
boot  
  modes, [2-3](#), [2-9](#)  
  mode select jumpers (JP1-2), [2-10](#)

## C

CCLK pin, [1-9](#)

## clock

  frequency, [1-8](#)  
  in (CLK IN) signal, [2-7](#)  
  out (CLK OUT) signal, [2-3](#)  
codecs, *See* 1836 audio codecs  
configuration, of this EZ-KIT Lite, [1-3](#)  
connectors  
  diagram of locations, [1-3](#), [2-16](#)  
  DB9 (UART), [2-7](#), [2-19](#)  
  J1-3 (expansion interface), [2-8](#), [2-16](#)  
  J4-5 (audio), [2-17](#)  
  J8 (video), [2-17](#)  
  J9 (power), [2-17](#)  
  P1 (FlashLINK), [2-18](#)  
  P2 (RS-232), [2-7](#), [2-19](#)  
  P3 (SPORT0), [2-3](#), [2-19](#)  
  P4 (JTAG), [2-8](#), [2-20](#)  
contents, of this EZ-KIT Lite package, [1-2](#)  
core  
  frequency, [1-9](#)  
  voltage, [2-2](#)  
customer support, [-xiv](#)

## D

DAC analog video channels, [2-7](#)  
Data In/Out registers, [1-11](#)  
DB9 (UART) connector, [2-7](#), [2-19](#)  
default configuration, of this EZ-KIT Lite, [1-3](#)

# INDEX

DIP switches  
  diagram of locations, [1-3](#)  
  SW1-2 (test), [2-10](#)  
  SW3 (video config), [1-16](#), [2-7](#), [2-10](#)  
  SW9 (push button enable), [1-15](#), [2-11](#), [2-13](#)  
Direction registers, [1-11](#)

## E

EBIU\_AMBCTLx registers, [1-10](#)  
EBIU interfaceexternal bus interface unit, *See*  
  EBIU  
EBIU\_SDx registers, [1-9](#)  
example programs, [1-17](#)  
expansion interface, [2-4](#), [2-7](#), [2-8](#), [2-16](#)  
external bus interface unit (EBIU), [2-3](#)  
external memory  
  *See also* flash memories, SDRAM, ASYNC  
  via JTAG, [2-8](#)

## F

features, of this EZ-KIT Lite, [-x](#)  
FIELD pin, [2-4](#), [2-7](#), [2-11](#)  
flag pins, *See* programmable flags (PFs)  
flash A  
  configuration registers, [1-11](#), [1-12](#)  
  port A controls, [1-12](#)  
  port B controls, [1-13](#)  
  primary, [1-10](#)  
  secondary, [1-10](#)  
  SRAM, [1-11](#)  
flash B  
  configuration registers, [1-12](#)  
  primary, [1-10](#)  
  registers, [1-11](#)  
  secondary, [1-11](#)  
  SRAM, [1-11](#)

flash memories  
  *See also* flash A, flash B  
  configuration registers, [1-7](#), [1-10](#)  
  EBIU connection, [2-3](#)  
  general-purpose IO pins, [1-9](#), [1-11](#), [2-14](#),  
    [2-19](#)  
  internal SRAM, [1-7](#), [1-10](#)  
  primary/secondary, [1-7](#), [1-10](#), [2-3](#)  
  programming/configuring, [1-13](#)  
  reserved, [1-11](#)  
flash ports (PB5-0), [2-14](#)  
frequency, [1-8](#), [1-9](#)

## G

general-purpose IO pins, [1-9](#), [1-11](#), [1-14](#), [1-15](#)  
GND signal, [2-8](#), [2-18](#)

## H

Help, online, [-xix](#)  
HSYNC signal, [2-6](#), [2-7](#), [2-10](#)

## I

installation, of this EZ-KIT Lite, [1-4](#)  
interfaces, *See* video, SPORT0, PPI, SPI,  
  expansion  
internal memory  
  core MMRs, [1-8](#)  
  data banks A, B (SRAM), [1-8](#)  
  instruction SRAM, [1-8](#)  
  instruction SRAM/CACHE, [1-8](#)  
  reserved, [1-8](#)  
  scratch pad SRAM, [1-8](#)  
  system MMRs, [1-8](#)  
  via JTAG, [2-8](#)  
IO  
  port registers, [1-11](#)  
  voltage, [2-2](#)

## J

## JTAG

- cable, 1-14
- connector (P4), 2-20
- emulation port, 2-8

## jumpers

- diagram of locations, 2-9
- default settings, 1-3
- JP1-2 (boot mode select), 2-10

## L

## LEDs

- diagram of locations, 1-3, 2-12
- LED11 (USB monitor), 1-4, 2-15
- LED1 (power), 2-13
- LED2 (reset), 2-14
- LED3 (USB reset), 2-14
- LED4-9 (general-purpose IO), 1-13, 1-14, 2-14

## license restrictions, 1-6

## M

## Media Instruction Set Computing (MISC), -ix

## memory

- map, of this EZ-KIT Lite, 1-7, 1-10
- select pins, *See* -AMS2-0, -SMS0

## MSB pin, 2-5, 2-6

## N

## notation conventions, -xxi

## O

## oscillators, 1-12

## P

## package contents, 1-2

## parallel peripheral interface (PPI), 1-12, 1-16, 2-5, 2-7, 2-10

## power

- connector (J9), 2-17
- specifications, 2-18

## PPI7-0 pins, 2-6

## PPI\_CLK pin, 1-12, 2-6

## PPI\_FSYNC signal, 2-6

## PPI\_HSYNC signal, 2-6

primary memory, *See* flash memories, flash A, flash B

## programmable flags (PFs)

- connections, 2-4
- PF0 (serial clock), 1-16, 2-4
- PF12-15 (ADV7171/83 data), 2-5, 2-6
- PF1 (serial data), 1-16
- PF2 (ADV7183 output), 1-16, 2-4, 2-10
- PF3 (ADV7183 FIELD pin), 2-4, 2-6, 2-11
- PF4 (SPI select), 1-15, 2-4
- PF5-7, 2-4
- PF8-11 (SW4-7), 1-14, 2-5, 2-11, 2-13

## push buttons

- See also* switches by name (SWx)
- diagram of locations, 2-12

## R

## RCA jacks, -x, 2-17

## registration, of this product, 1-3

## reset

- AD1836 codec, 1-13
- ADV7171/ADV7183 decoder/encoder, 1-13
- LEDs (LED2-3), 2-14
- processor, 1-8, 1-10, 1-11
- push button (SW8), 2-13

## restrictions, of the licence, 1-6

## RFS0 pin, 1-15, 2-12

## RS-232 connector (P2), -xi, 2-7, 2-19

## RSCLK0 pin/register, 1-15, 2-12

# INDEX

## S

- schematic, of this EZ-KIT Lite, [B-1](#)
- SCLK pin, [1-9](#)
- SDRAM
  - connection, [2-3](#)
  - interface, [1-7](#), [1-8](#)
  - optimum settings, [1-9](#)
- secondary memory, *See* flash memories, flash A, flash B
- serial
  - clock (SCL), [1-16](#)
  - data (SDAT), [1-16](#)
- serial peripheral interface (SPI), [1-15](#), [2-4](#), [2-8](#)
- setup, of this EZ-KIT Lite, [1-3](#)
- SMS0 memory select pin, [1-7](#), [2-3](#)
- SPORT0
  - audio interface, [-xi](#), [1-14](#), [2-3](#), [2-8](#)
  - connector (P3), [2-19](#)
  - frame sync/clock signals, [2-11](#)
- SRAM, internal flash memory, [1-7](#), [2-3](#)
- startup, of this EZ-KIT Lite, [1-4](#)
- SW1-2 (test) DIP switches, [2-10](#)
- SW3 (video config) DIP switch, [1-16](#), [2-7](#), [2-10](#)
- SW4-7 (general input) push buttons, [1-14](#), [2-5](#), [2-11](#), [2-13](#)
- SW8 (reset) push button, [2-13](#)
- SW9 (push button enable) DIP switch, [1-15](#), [2-11](#), [2-13](#)
- switches
  - See also* switches by name (SW<sub>x</sub>)
  - diagram of locations, [2-9](#)
- synchronous dynamic random access memory, *See* SDRAM
- system
  - architecture, [2-2](#)
  - clock register (SCLK), [1-8](#)

## T

- Target Options dialog box, [1-8](#)

- test DIP switches (SW1-2), [2-10](#)
- TFS0 pin, [1-15](#), [2-12](#)
- time-division multiplexed (TDM) mode, [1-15](#)
- TMR0 pin, [2-8](#)
- TMR2-1 pins, [2-6](#), [2-8](#), [2-10](#)
- TSCLK0 pin/register, [1-15](#), [2-12](#)
- two-wire interface (TWI) mode, [1-15](#)

## U

- UART port, [-xi](#), [2-7](#), [2-8](#)
- universal asynchronous receiver transmitter, *See* UART port
- USB
  - cable, [1-3](#)
  - connector (P7), [2-18](#), [2-19](#)
  - interface chip (U34), [2-13](#), [2-14](#)
  - monitor LED (LED11), [2-15](#)
- user LEDs (LED4-9), [1-13](#), [1-14](#), [2-14](#)

## V

- video
  - configuration switch (SW3), [2-10](#)
  - connector (J8), [2-17](#)
  - control signals, [2-8](#)
  - decoders, *See* ADV7171
  - encoders, *See* ADV7183
  - input mode, [2-7](#)
  - interface, [1-16](#)
  - output mode, [2-7](#)
- VisualDSP++
  - documentation, [-xviii](#), [-xix](#)
  - environment, [1-4](#)
  - online Help, [-xvii](#), [-xix](#)
- voltage regulators, [1-9](#)
- VSYNC signal, [2-6](#), [2-7](#), [2-10](#)

## X

- XML register reset values, [1-8](#)